

# P25-2

Product code: 8625202  
 EAN code: 5904996205607

## PROFILE TYPE

recessed

## LED TAPE WIDTH

up to 11 mm

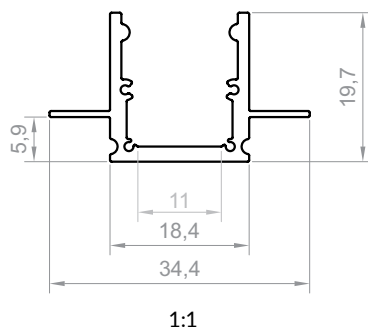
## COLOUR VERSIONS

silver anodised  
 painted in white  
 painted in black  
 anthracite grey  
 others - on demand

## LENGTH

1000 mm  
 2000 mm  
 3000 mm  
 4000-6000 mm  
 (on demand)

## TECHNICAL DRAWING WITH DIMENSIONS



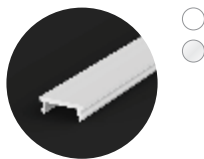
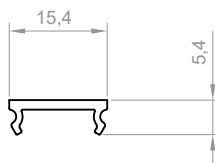
## INSTALLATION INSTRUCTIONS



 TESA tape

## COVERS (CLICK-FIT)

C9



## END CAPS



aluminium end caps P25-2+C9 with screws (with hole)



aluminium end caps P25-2+C9 with screws (without hole)

## INSTALLATION



assembly tape

# P25-2

