

P22-10

Product code: 86221002
EAN code: 5904996209025

PROFILE TYPE

architectural

LED TAPE WIDTH

up to 3x8 mm
up to 2x12 mm

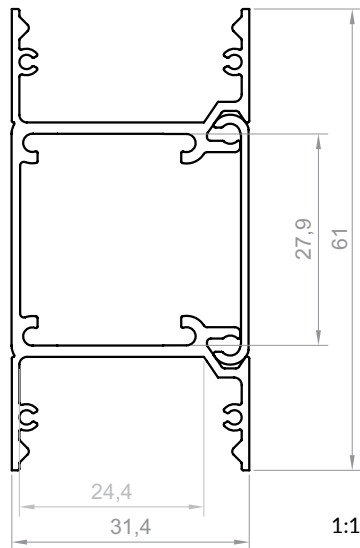
COLOUR VERSIONS

silver anodised
painted in white
painted in black
anthracite grey
others - on demand

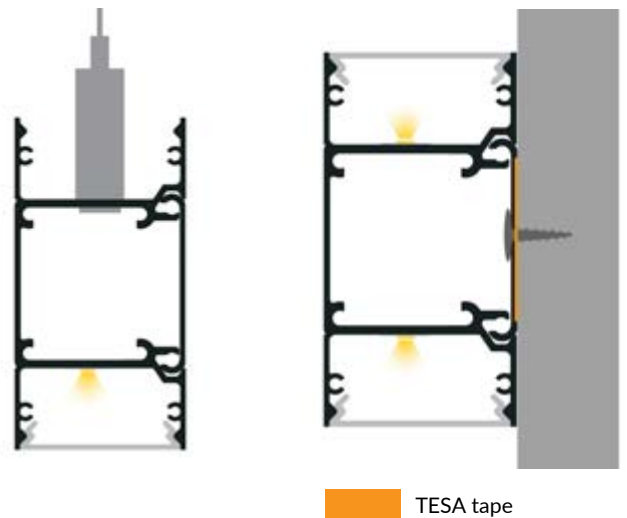
LENGTH

1000 mm
2000 mm
3000 mm
4000-6000 mm
(on demand)

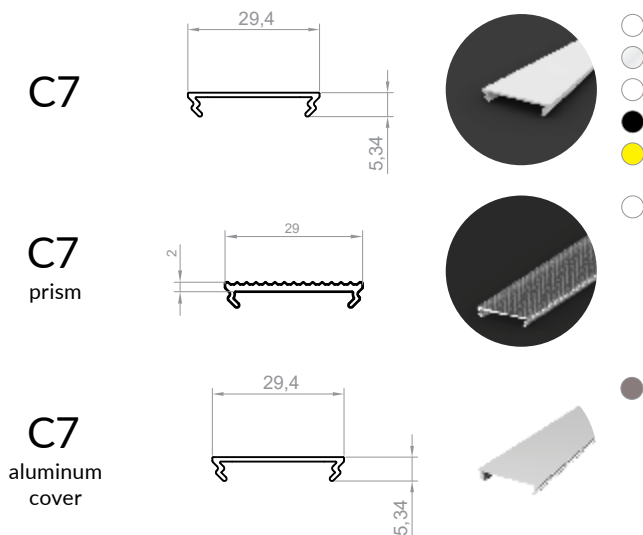
TECHNICAL DRAWING WITH DIMENSIONS



INSTALLATION INSTRUCTIONS



COVERS (CLICK-FIT)



END CAPS



ACCESSORIES AND INSTALLATION



P22-10

