

P27-1

Product code: 8627102

EAN code: 5904996205867

PROFILE TYPE

architectural

LED TAPE WIDTH

up to 6x8 mm
 up to 5x10 mm
 up to 4x12 mm

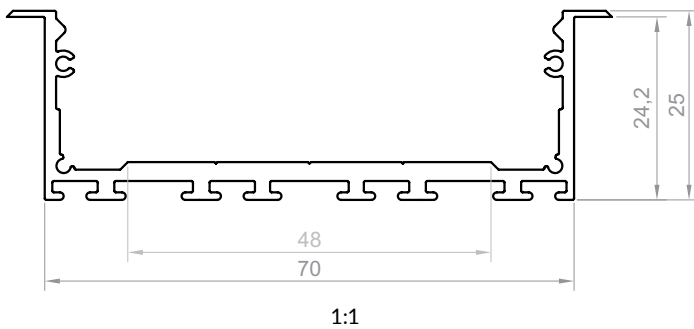
COLOUR VERSIONS

silver anodised
 painted in white
 painted in black
 anthracite grey
 others - on demand

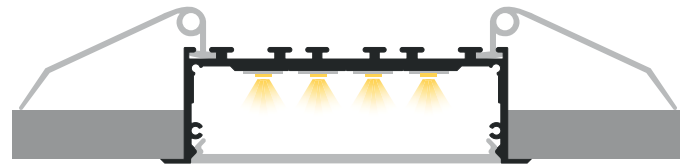
LENGTH

1000 mm
 2000 mm
 3000 mm
 4000-6000 mm
 (on demand)

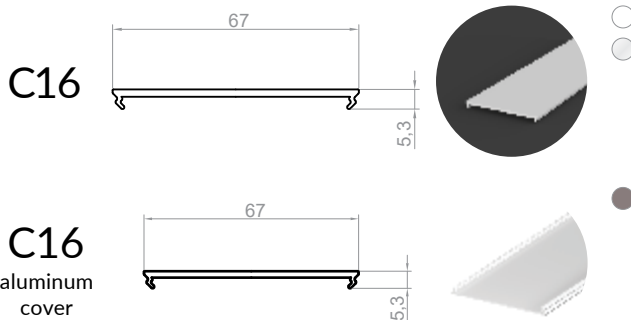
TECHNICAL DRAWING WITH DIMENSIONS



INSTALLATION INSTRUCTIONS



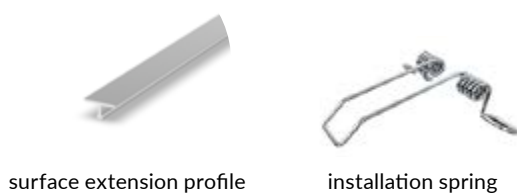
COVERS (CLICK-FIT)



END CAPS



ACCESSORIES AND INSTALLATION



angle connector
 straight, 45°, 60°, 90°, 120°, 135°

P27-1

