

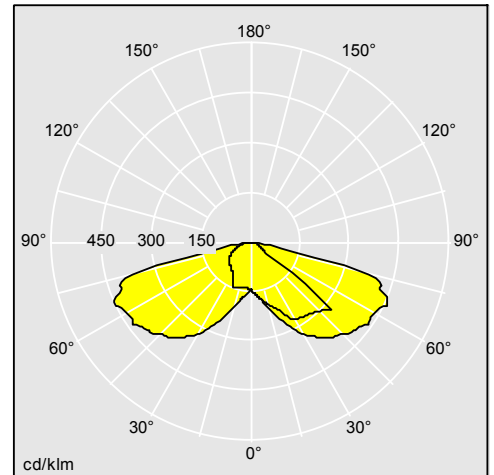
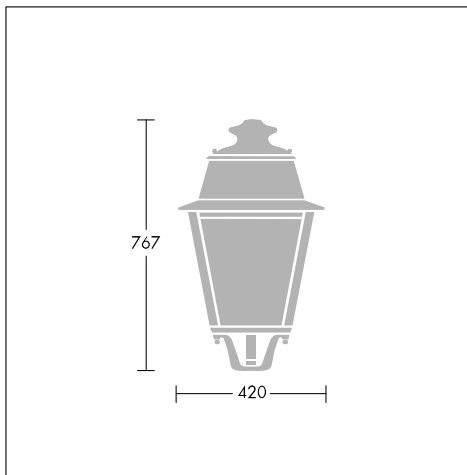
## EP 145

**A 19th Century style lantern equipped with LEDs to refurbish traditional streets and historic areas with a durable energy efficient solution**

- IDA Dark Sky Approved
- \*IDA fixture seal of approval relates to  $\leq 3000$  K only and clear enclosures. Luminaires must be mounted as photometered.
- Traditional black or copper lantern with coordinated columns and brackets to seamlessly integrate into the environment
- Efficient R-PEC optic® with dimming, 4000K and 3000K colour temperature as standard
- Up to 100 kh (25°C, L90, B10) and low cost of ownership with no lamp maintenance for 20 years
- Quick installation with choice of suspended and post top mountings to cover applications ranging from residential streets to city squares



*Photographs, line drawings and photometric data are representative only. For specific product detail please select an individual product.*



96269265

### Material/Finish

Lantern body: stainless steel, finish black (RAL 9005) or copper with special treatment against corrosion. EN AC-44300.

Lantern top: GRP/Polyester - black and copper finish.

Gasket: EPDM

Enclosure: tempered glass, 5mm

Standard corrosion class C5 according to ISO 9223: 2012.

## EP 145

### Installation/Mounting

Post top or suspended mountings.  
Recommended height: up to 8m.

#### Post top:

For Wy and 121 consoles through Ø 27G threaded tube.  
On steel Meleze columns Ø 60mm with adaptor (code 96006044).  
On die-cast columns with threaded spigot.

#### Suspended:

Fixing on Andely and Le Mail brackets or consoles through Ø 27G threaded tube.  
Fixing on Andely, Le Mail, Beagency, Wy, 121 consoles through Ø 27G threaded tube.

Universal joint code 96262636 allowing compensation of any possible default of verticality support in case of straight fixing.

Access to replaceable LED plate (driver and led module) via 2 screws after opening the hinged canopy. Pre-wired 4000lm (56W) with 5 m cables H07-RNF as standard for post top version, 6 m cable on request. Delivered ready to install, complete with factory fitted integral gear, all supplied in one box.

### Specification

To specify state:

IP66 post top and suspended 19th century styled stainless steel or copper lantern up to 84W LED 6000lm package, black or copper finish, with Narrow Road and Street Comfort optics, dimming system, CLO option, and coordinated columns and brackets.

As Thorn EP 145 LED.

### Ordering Guide

Supplied complete with LEDs.

Description	ILCOS Code	Socket	Wt (kg)	SAP Code
<b>EP 145 LED Post top, black stainless steel, NR</b>				
EP 145 LED 24L70 BP NR 740 RS/MTP F5M	LED		8,6	96269202
EP 145 LED 24L70 NR 740 RS/MTP F5M	LED		8,6	96269203
EP 145 LED 24L70 BP NR 730 RS/MTP F5M	LED		8,6	96269214
EP 145 LED 24L70 NR 730 RS/MTP F5M	LED		8,6	96269215
EP 145 LED 24L35 BP NR 740 RS/MTP F5M	LED		8,6	96269222
EP 145 LED 24L35 NR 740 RS/MTP F5M	LED		8,6	96269223
EP 145 LED 24L35 BP NR 730 RS/MTP F5M	LED		8,6	96269230
EP 145 LED 24L35 NR 730 RS/MTP F5M	LED		8,6	96269231
EP 145 LED 36L70 BP NR 740 RS/MTP	LED		8,6	96269254
EP 145 LED 36L70 NR 740 RS/MTP	LED		8,6	96269255
EP 145 LED 24L50 BP NR 740 RS/MTP F5M	LED		8,6	96269238
EP 145 LED 24L50 NR 740 RS/MTP F5M	LED		8,6	96269239
EP 145 LED 36L70 BP NR 730 RS/MTP	LED		8,6	96269262
EP 145 LED 36L70 NR 730 RS/MTP	LED		8,6	96269263
EP 145 LED 24L50 BP NR 730 RS/MTP F5M	LED		8,6	96269246
EP 145 LED 24L50 NR 730 RS/MTP F5M	LED		8,6	96269247
EP 145 LED 24L50 BP NR 727 RS/MTP F5M	LED		8,6	96679886
EP 145 LED 24L50 BP NR 722 RS/MTP F5M	LED		8,6	96679887
<b>EP 145 LED Post top, black stainless steel, SC</b>				
EP 145 LED 24L70 BP SC 740 RS/MTP F5M	LED		8,6	96269134
EP 145 LED 24L70 SC 740 RS/MTP F5M	LED		8,6	96269135
EP 145 LED 24L70 BP SC 730 RS/MTP F5M	LED		8,6	96269146
EP 145 LED 24L70 SC 730 RS/MTP F5M	LED		8,6	96269147

## EP 145

Description	ILCOS Code	Socket	Wt (kg)	SAP Code
EP 145 LED 24L35 BP SC 740 RS/MTP F5M	LED		8,6	96269154
EP 145 LED 24L35 SC 740 RS/MTP F5M	LED		8,6	96269155
EP 145 LED 24L35 BP SC 730 RS/MTP F5M	LED		8,6	96269162
EP 145 LED 24L35 SC 730 RS/MTP F5M	LED		8,6	96269163
EP 145 LED 24L50 BP SC 740 RS/MTP F5M	LED		8,6	96269170
EP 145 LED 24L50 SC 740 RS/MTP F5M	LED		8,6	96269171
EP 145 LED 24L50 BP SC 730 RS/MTP F5M	LED		8,6	96269178
EP 145 LED 24L50 SC 730 RS/MTP F5M	LED		8,6	96269179
EP 145 LED 36L70 BP SC 740 RS/MTP	LED		8,6	96269186
EP 145 LED 36L70 SC 740 RS/MTP	LED		8,6	96269187
EP 145 LED 36L70 BP SC 730 RS/MTP	LED		8,6	96269194
EP 145 LED 36L70 SC 730 RS/MTP	LED		8,6	96269195
<b>EP 145 LED Post top, copper, NR</b>				
EP 145 LED 24L70 NR 740 RCU/MTP F5M	LED		10,1	96269204
EP 145 LED 24L70 BP NR 740 RCU/MTP F5M	LED		10,1	96269205
EP 145 LED 24L70 NR 730 RCU/MTP F5M	LED		10,1	96269216
EP 145 LED 24L70 BP NR 730 RCU/MTP F5M	LED		10,1	96269217
EP 145 LED 24L35 NR 740 RCU/MTP F5M	LED		10,1	96269224
EP 145 LED 24L35 BP NR 740 RCU/MTP F5M	LED		10,1	96269225
EP 145 LED 24L35 NR 730 RCU/MTP F5M	LED		10,1	96269232
EP 145 LED 24L35 BP NR 730 RCU/MTP F5M	LED		10,1	96269233
EP 145 LED 36L70 NR 740 RCU/MTP	LED		10,1	96269256
EP 145 LED 24L50 NR 740 RCU/MTP F5M	LED		10,1	96269240
EP 145 LED 36L70 BP NR 740 RCU/MTP	LED		10,1	96269257
EP 145 LED 36L70 NR 730 RCU/MTP	LED		10,1	96269264
EP 145 LED 36L70 BP NR 730 RCU/MTP	LED		10,1	96269265
EP 145 LED 24L50 BP NR 740 RCU/MTP F5M	LED		10,1	96269241
EP 145 LED 24L50 NR 730 RCU/MTP F5M	LED		10,1	96269248
EP 145 LED 24L50 BP NR 730 RCU/MTP F5M	LED		10,1	96269249
<b>EP 145 LED Post top, copper, SC</b>				
EP 145 LED 24L70 SC 740 RCU/MTP F5M	LED		10,1	96269136
EP 145 LED 24L70 BP SC 740 RCU/MTP F5M	LED		10,1	96269137
EP 145 LED 24L70 SC 730 RCU/MTP F5M	LED		10,1	96269148
EP 145 LED 24L70 BP SC 730 RCU/MTP F5M	LED		10,1	96269149
EP 145 LED 24L35 SC 740 RCU/MTP F5M	LED		10,1	96269156
EP 145 LED 24L35 BP SC 740 RCU/MTP F5M	LED		10,1	96269157
EP 145 LED 24L35 SC 730 RCU/MTP F5M	LED		10,1	96269164
EP 145 LED 24L35 BP SC 730 RCU/MTP F5M	LED		10,1	96269165
EP 145 LED 24L50 SC 740 RCU/MTP F5M	LED		10,1	96269172
EP 145 LED 24L50 BP SC 740 RCU/MTP F5M	LED		10,1	96269173
EP 145 LED 24L50 SC 730 RCU/MTP F5M	LED		10,1	96269180
EP 145 LED 24L50 BP SC 730 RCU/MTP F5M	LED		10,1	96269181
EP 145 LED 36L70 SC 740 RCU/MTP	LED		10,1	96269188
EP 145 LED 36L70 BP SC 740 RCU/MTP	LED		10,1	96269189
EP 145 LED 36L70 SC 730 RCU/MTP	LED		10,1	96269196
EP 145 LED 36L70 BP SC 730 RCU/MTP	LED		10,1	96269197

## EP 145

Description	ILCOS Code	Socket	Wt (kg)	SAP Code
<b>EP 145 LED Suspended, black stainless steel, NR</b>				
EP 145 LED 24L70 BP NR 740 RS/MSU	LED		10,3	96269201
EP 145 LED 24L70 NR 740 RS/MSU	LED		10,3	96269206
EP 145 LED 24L50 NR 730 RS/MSU	LED		10,3	96269250
EP 145 LED 24L70 BP NR 730 RS/MSU	LED		10,3	96269213
EP 145 LED 24L70 NR 730 RS/MSU	LED		10,3	96269218
EP 145 LED 36L70 BP NR 740 RS/MSU	LED		10,3	96269253
EP 145 LED 24L35 BP NR 740 RS/MSU	LED		10,3	96269221
EP 145 LED 24L35 NR 740 RS/MSU	LED		10,3	96269226
EP 145 LED 24L35 BP NR 730 RS/MSU	LED		10,3	96269229
EP 145 LED 24L35 NR 730 RS/MSU	LED		10,3	96269234
EP 145 LED 24L50 BP NR 740 RS/MSU	LED		10,3	96269237
EP 145 LED 36L70 BP NR 730 RS/MSU	LED		10,3	96269261
EP 145 LED 24L50 NR 740 RS/MSU	LED		10,3	96269242
EP 145 LED 24L50 BP NR 730 RS/MSU	LED		10,3	96269245
EP 145 LED 36L70 NR 730 RS/MSU	LED		10,3	96269266
EP 145 LED 24L50 BP NR 727 RS/MSU	LED		10,3	96679888
EP 145 LED 24L50 BP NR 722 RS/MSU	LED		10,3	96679889
<b>EP 145 LED Suspended, black stainless steel, SC</b>				
EP 145 LED 24L70 SC 740 RS/MSU	LED		10,3	96269138
EP 145 LED 24L70 BP SC 730 RS/MSU	LED		10,3	96269145
EP 145 LED 24L70 SC 730 RS/MSU	LED		10,3	96269150
EP 145 LED 24L35 BP SC 740 RS/MSU	LED		10,3	96269153
EP 145 LED 24L35 SC 740 RS/MSU	LED		10,3	96269158
EP 145 LED 24L35 BP SC 730 RS/MSU	LED		10,3	96269161
EP 145 LED 24L35 SC 730 RS/MSU	LED		10,3	96269166
EP 145 LED 24L50 BP SC 740 RS/MSU	LED		10,3	96269169
EP 145 LED 24L50 SC 740 RS/MSU	LED		10,3	96269174
EP 145 LED 24L50 BP SC 730 RS/MSU	LED		10,3	96269177
EP 145 LED 24L50 SC 730 RS/MSU	LED		10,3	96269182
EP 145 LED 36L70 BP SC 740 RS/MSU	LED		10,3	96269185
EP 145 LED 36L70 SC 740 RS/MSU	LED		10,3	96269190
EP 145 LED 36L70 BP SC 730 RS/MSU	LED		10,3	96269193
EP 145 LED 36L70 SC 730 RS/MSU	LED		10,3	96269198
EP 145 LED 24L70 BP SC 740 RS/MSU	LED		10,3	96269133
<b>EP 145 LED Suspended, copper, NR</b>				
EP 145 LED 24L70 NR 740 RCU/MSU	LED		11,8	96269207
EP 145 LED 24L70 BP NR 740 RCU/MSU	LED		11,8	96269208
EP 145 LED 24L50 NR 730 RCU/MSU	LED		11,8	96269251
EP 145 LED 24L70 NR 730 RCU/MSU	LED		11,8	96269219
EP 145 LED 24L50 BP NR 730 RCU/MSU	LED		11,8	96269252
EP 145 LED 24L70 BP NR 730 RCU/MSU	LED		11,8	96269220
EP 145 LED 24L35 NR 740 RCU/MSU	LED		11,8	96269227
EP 145 LED 24L35 BP NR 740 RCU/MSU	LED		11,8	96269228
EP 145 LED 24L35 NR 730 RCU/MSU	LED		11,8	96269235
EP 145 LED 24L35 BP NR 730 RCU/MSU	LED		11,8	96269236

## EP 145

Description	ILCOS Code	Socket	Wt (kg)	SAP Code
EP 145 LED 36L70 NR 740 RCU/MSU	LED		11,8	96269259
EP 145 LED 36L70 BP NR 740 RCU/MSU	LED		11,8	96269260
EP 145 LED 36L70 BP NR 730 RCU/MSU	LED		11,8	96269268
EP 145 LED 24L50 NR 740 RCU/MSU	LED		11,8	96269243
EP 145 LED 24L50 BP NR 740 RCU/MSU	LED		11,8	96269244
EP 145 LED 36L70 NR 730 RCU/MSU	LED		11,8	96269267
<b>EP 145 LED Suspended, copper, SC</b>				
EP 145 LED 24L70 SC 740 RCU/MSU	LED		11,8	96269139
EP 145 LED 24L70 BP SC 740 RCU/MSU	LED		11,8	96269140
EP 145 LED 24L70 SC 730 RCU/MSU	LED		11,8	96269151
EP 145 LED 24L70 BP SC 730 RCU/MSU	LED		11,8	96269152
EP 145 LED 24L35 SC 740 RCU/MSU	LED		11,8	96269159
EP 145 LED 24L35 BP SC 740 RCU/MSU	LED		11,8	96269160
EP 145 LED 24L35 SC 730 RCU/MSU	LED		11,8	96269167
EP 145 LED 24L35 BP SC 730 RCU/MSU	LED		11,8	96269168
EP 145 LED 24L50 SC 740 RCU/MSU	LED		11,8	96269175
EP 145 LED 24L50 BP SC 740 RCU/MSU	LED		11,8	96269176
EP 145 LED 24L50 SC 730 RCU/MSU	LED		11,8	96269183
EP 145 LED 24L50 BP SC 730 RCU/MSU	LED		11,8	96269184
EP 145 LED 36L70 SC 740 RCU/MSU	LED		11,8	96269191
EP 145 LED 36L70 BP SC 740 RCU/MSU	LED		11,8	96269192
EP 145 LED 36L70 SC 730 RCU/MSU	LED		11,8	96269199
EP 145 LED 36L70 BP SC 730 RCU/MSU	LED		11,8	96269200
<b>EP 145 LED Accessories</b>				
EP 145 LED ECL/AC			2,1	59005231
EP 145 LED EDM/AC			1,6	59005230