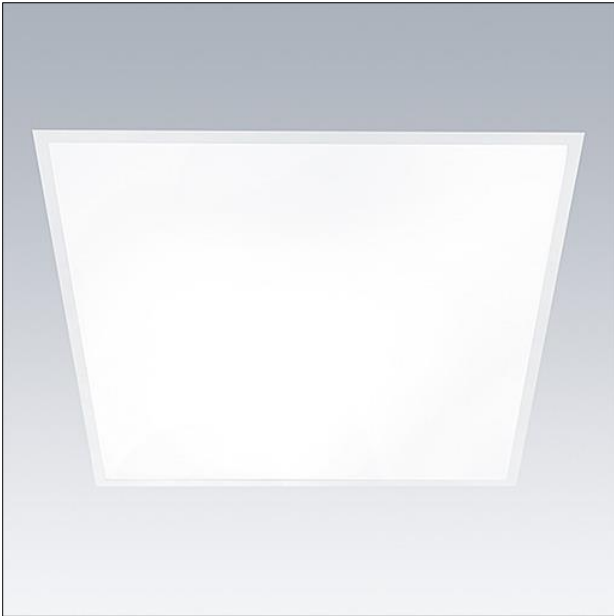
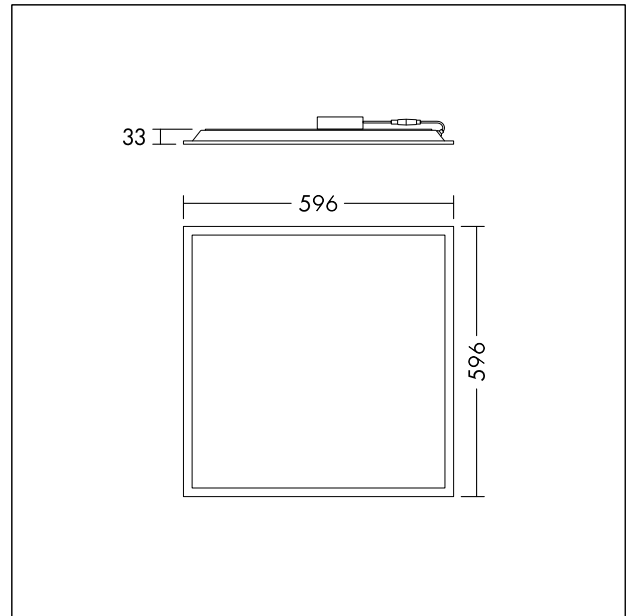


Recessed LED panel

LED Panel with micro-prismatic light emitting surface. Comfortable and glare-free lighting with $UGR < 19$ for direct replacement of office lighting fixtures with a form-factor 600 x 600 mm. Total luminous flux: 3500 lm. Luminaire input power: 32 W, Luminaire efficacy: 109 lm/W, CCT: 4000K, Lifetime: 50.000hrs @L70. Colour Rendering: CRI > 80, Chromaticity tolerance (initial MacAdam): 5. Body: backplate made of steel sheet, frame made of aluminum. Diffusor: PS. Prismatic layer: PS. Provided with a separate connection box for easy installation and tool-free loop-in loop-out wiring, Flicker free, Suitable for lay-in installation. Available accessories: Safety wire kit, Plug&Play Emergency kit for 3 hour emergency conversion (Self or Manualtest). Detailed information available on www.THORNeco.com. Dimensions: 596 x 596 x 33 mm, weight: 1.72 kg



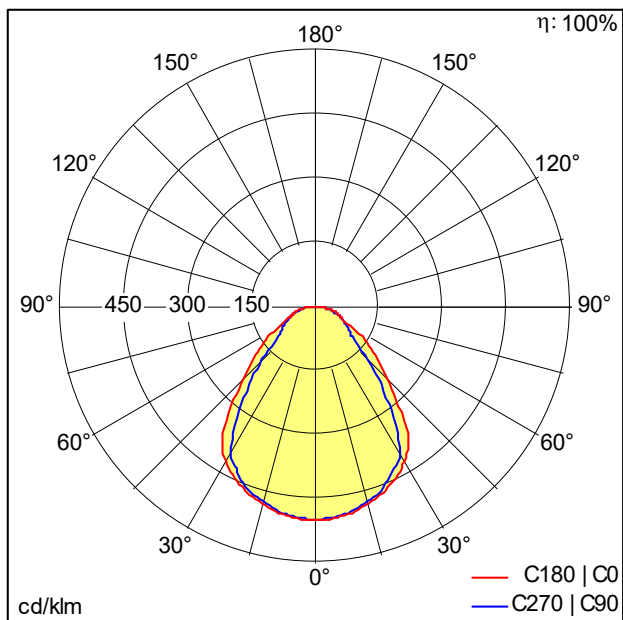
TE_MAYA_F_LIT_1.jpg



TE_MAYA_M_Q596.wmf

Light Distribution

STD - standard



TE_MAYA_Q596_3500_840.idt

- Light Source: LED
- Luminaire luminous flux*: 3500 lm
- Total emergency luminous flux: 430 lm
- Luminaire efficacy*: 109 lm/W
- Colour Rendering Index min.: 80
- Correlated colour temperature*: 4000 Kelvin
- Chromaticity tolerance (initial MacAdam): 5
- Rated median useful life*:
L70 50000 h at 25 °C
- Ballast: 1x LED_Con
- Luminaire input power*: 32 W Power factor = 0.9
- Dimming: Fixed output
- Maintenance category CIE 97: D - Enclosed IP2X
- Total harmonic distortion (THD): 20.00 %

All values marked with an * are rated values. Connected electrical load and luminous flux are subject to an initial tolerance of +/- 10%, the most similar colour temperature is subject to an initial tolerance of +/- 150K. Unless stated otherwise, the values apply to an ambient temperature of 25°C.