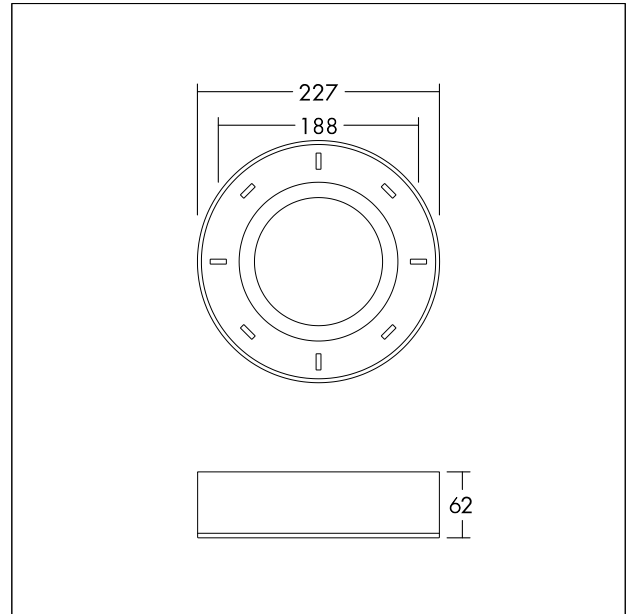


Surface mounting kit

Surface mounting box compatible with for ZOE VARIO LED 210 and ZOE VARIOFLEX 200 luminaires. Body: steel, white finish (RAL9003). Dimensions: Ø227 x 62 mm, weight: 1 kg.



TE_ZOE_F_Surface_Mount_Box_persp.jpg



TE_ZOEVARIO_M_SURF_210.wmf