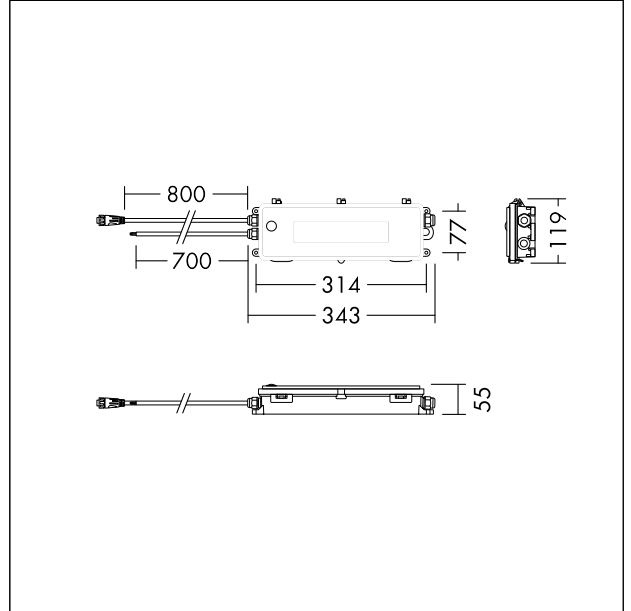


IP65 LED high-bay luminaire E3 Kit

Plug&Play E3 kit with NiCd battery for 3-hour emergency duration and indicator LED. Enables quick and easy conversion of the Boris high bay luminaires for emergency operation. Rated supply voltage : 230V ;Supply frequency : 50/60Hz; Supply current (Max) : 30mA; Power factor : > 0.5; Output voltage: 10 to 50V;Output power: 4W; Rated emergency duration : 3 hours; Battery: NiCd 4,8V 4,5Ah; Initial charge period : 24 hours;Ambient temperature (ta) : 0°C to +25°C; weight: 1.4 kg



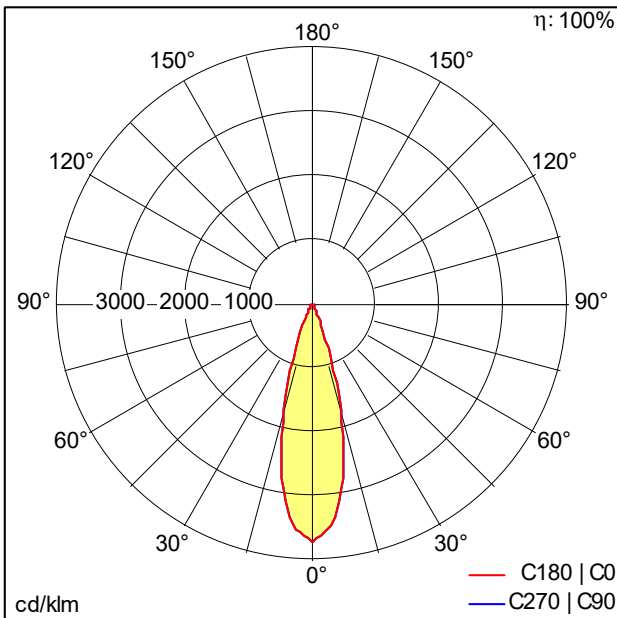
TE\_BORIS\_F\_PLUG-PLAY\_E3\_kit.jpg



TE\_BORIS\_M\_E3KIT.wmf

Light Distribution

STD - standard



TE\_BORIS\_PLUG&PLAY\_E3\_KIT.idt

- Light Source: LED
- Luminaire luminous flux\*: 587 lm
- Luminaire efficacy\*: 196 lm/W
- Colour Rendering Index min.: 80
- Correlated colour temperature\*: 4000 Kelvin
- Chromaticity tolerance (initial MacAdam): 5
- Rated median useful life\*: L80 50000 h at 25 °C
- Ballast: 1x LED\_Con
- Luminaire input power\*: 3 W
- Dimming: Fixed output

All values marked with an \* are rated values. Connected electrical load and luminous flux are subject to an initial tolerance of +/- 10%, the most similar colour temperature is subject to an initial tolerance of +/- 150K. Unless stated otherwise, the values apply to an ambient temperature of 25°C.