



P3-3

Product code: 863302
 EAN code: 5904996206222

PROFILE TYPE

corner

LED TAPE WIDTH

up to 3x8 mm
 up to 2x12 mm

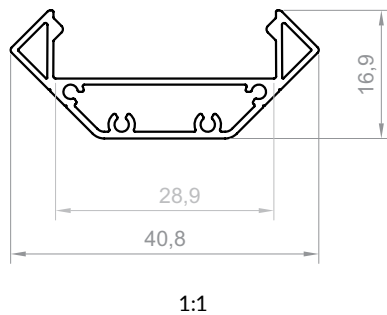
COLOUR VERSIONS

silver anodised
 painted in white
 painted in black
 anthracite grey
 others - on demand

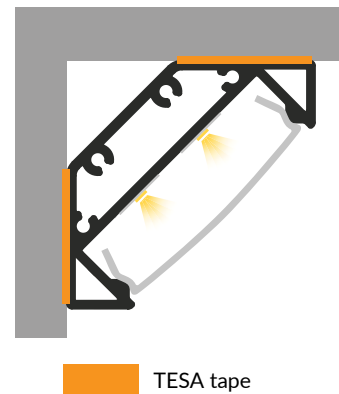
LENGTH

1000 mm
 2000 mm
 3000-6000 mm
 (on demand)

TECHNICAL DRAWING WITH DIMENSIONS

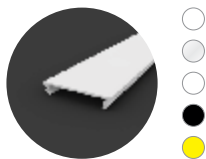
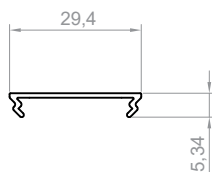


INSTALLATION INSTRUCTIONS



COVERS (CLICK-FIT)

C7



END CAPS



aluminium end caps P3-3+C7 with screws (with hole)



aluminium end caps P3-3+C7 with screws (without hole)

INSTALLATION



assembly tape

P3-3

