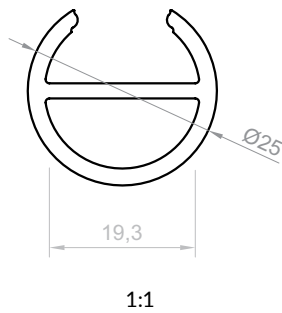


# P19-1

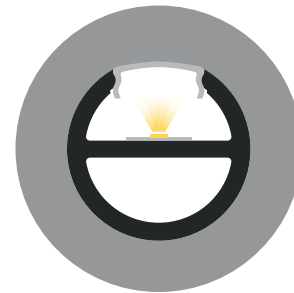
Product code: 8619102  
EAN code: 5904996204532

PROFILE TYPE	LED TAPE WIDTH
bar	up to 12 mm
COLOUR VERSIONS	LENGTH
silver anodised painted in white painted in black anthracite grey others - on demand	1000 mm 2000 mm 3000 mm 4000-6000 mm (on demand)

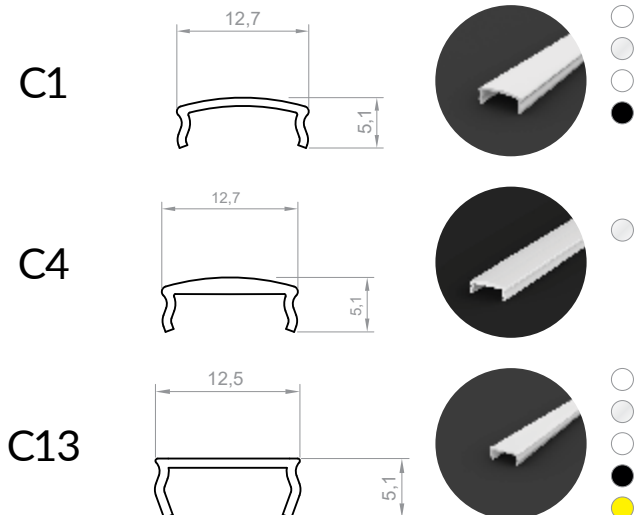
## TECHNICAL DRAWING WITH DIMENSIONS



## INSTALLATION INSTRUCTIONS



## COVERS (CLICK-FIT)



## INSTALLATION



# P19-1

