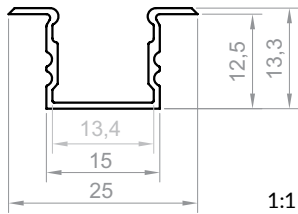


P18-2

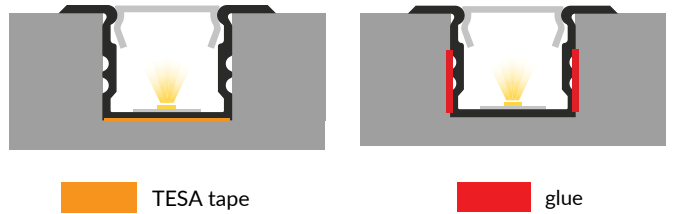
Product code: 8618202
EAN code: 5904996204402

PROFILE TYPE	LED TAPE WIDTH
recessed	up to 12 mm
COLOUR VERSIONS	LENGTH
silver anodised painted in white painted in gold painted in black anthracite grey others - on demand	1000 mm 2000 mm 3000 mm 4000-6000 mm (on demand)

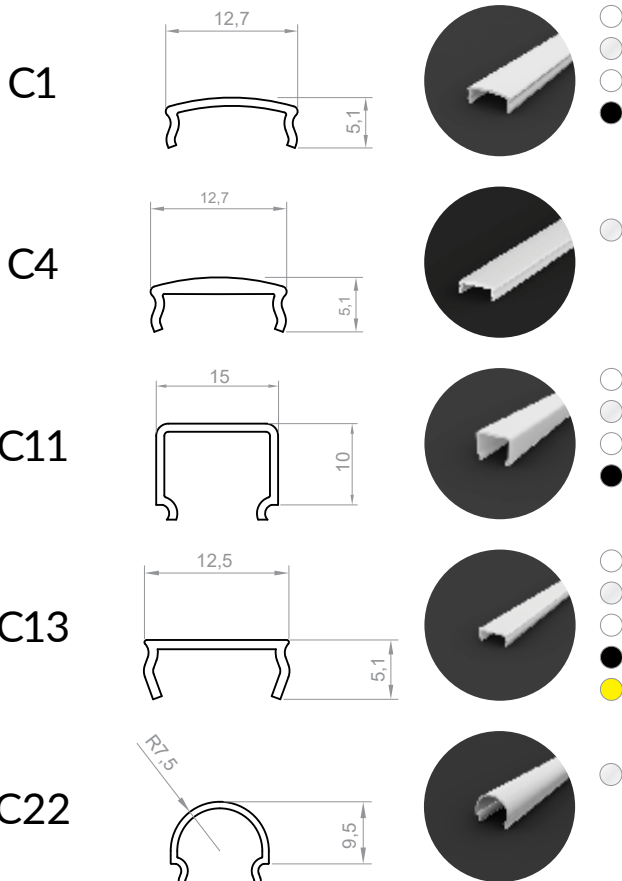
TECHNICAL DRAWING WITH DIMENSIONS



INSTALLATION INSTRUCTIONS



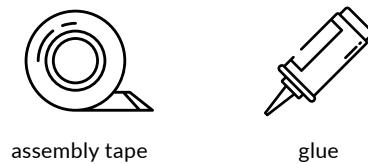
COVERS (CLICK-FIT)



END CAPS



INSTALLATION



P18-2

