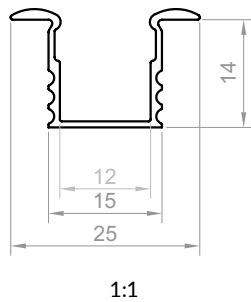


P18-1

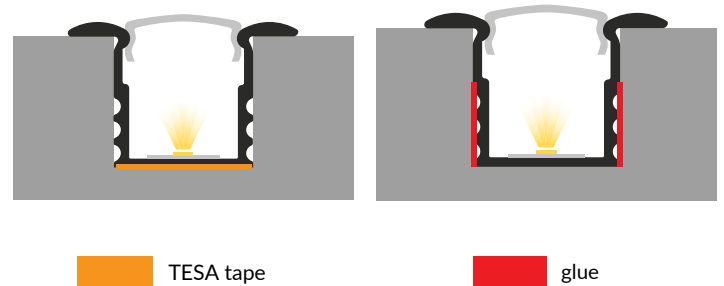
Product code: 8618102
EAN code: 5904996204280

PROFILE TYPE	LED TAPE WIDTH
recessed	up to 12 mm
COLOUR VERSIONS	LENGTH
silver anodised painted in white painted in black anthracite grey others - on demand	1000 mm 2000 mm 3000 mm 4000-6000 mm (on demand)

TECHNICAL DRAWING WITH DIMENSIONS



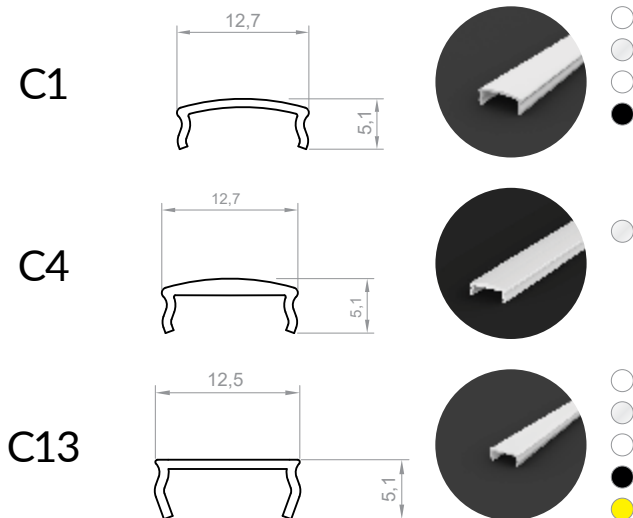
INSTALLATION INSTRUCTIONS



TESA tape

glue

COVERS (CLICK-FIT)



END CAPS

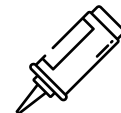


plastic end caps P18-1+C1/C4

INSTALLATION



assembly tape



glue

P18-1

