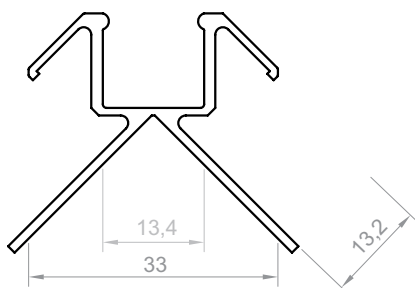


P17-3

Product code: 8617302
EAN code: 5904996208615

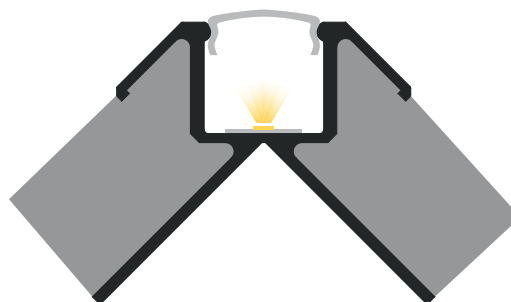
PROFILE TYPE	LED TAPE WIDTH
recessed	up to 12 mm
COLOUR VERSIONS	LENGTH
silver anodised painted in white painted in black anthracite grey others - on demand	1000 mm 2000 mm 3000-6000 mm (on demand)

TECHNICAL DRAWING WITH DIMENSIONS

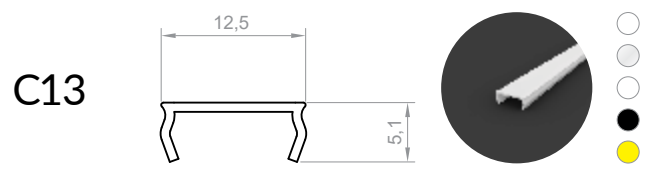
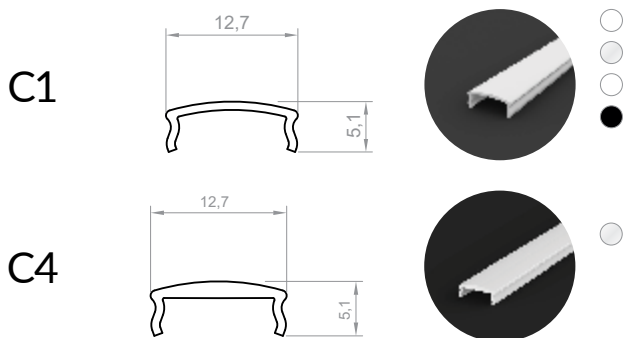


1:1

INSTALLATION INSTRUCTIONS



COVERS (CLICK-FIT)



P17-3

