

# P8-1

Product code: 868102  
EAN code: 5904996207366

## PROFILE TYPE

bar

## LED TAPE WIDTH

up to 12 mm

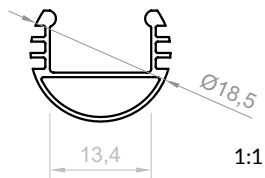
## COLOUR VERSIONS

silver anodised  
painted in white  
painted in black  
anthracite grey  
others - on demand

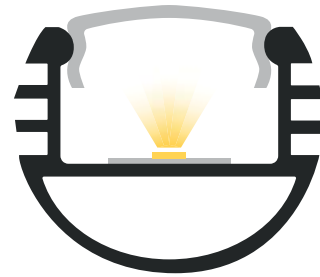
## LENGTH

1000 mm  
2000 mm  
3000 mm  
4000-6000 mm  
(on demand)

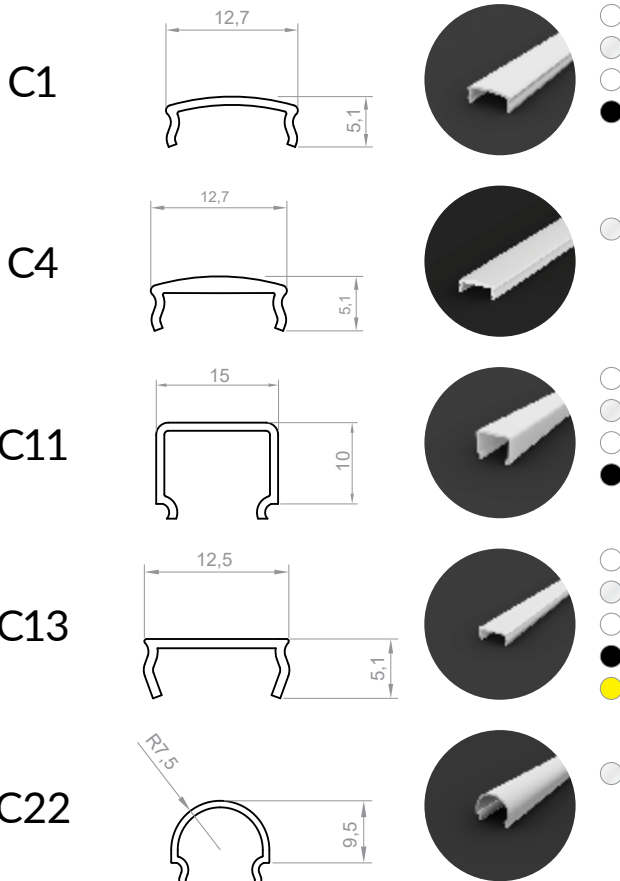
## TECHNICAL DRAWING WITH DIMENSIONS



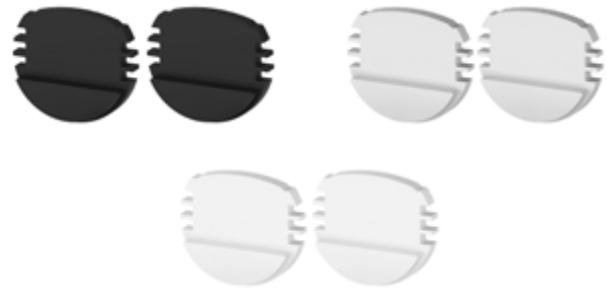
## INSTALLATION INSTRUCTIONS



## COVERS (CLICK-FIT)



## END CAPS



plastic end caps P8-1+C1/C4

## INSTALLATION



brackets

# P8-1

