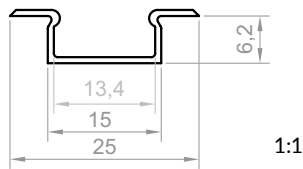


P6-2

Product code: 866202
EAN code: 5904996207120

PROFILE TYPE	LED TAPE WIDTH
recessed	up to 12 mm
COLOUR VERSIONS	LENGTH
silver anodised painted in white painted in gold painted in black black anodised anthracite grey others - on demand	1000 mm 2000 mm 3000 mm 4000-6000 mm (on demand)

TECHNICAL DRAWING WITH DIMENSIONS



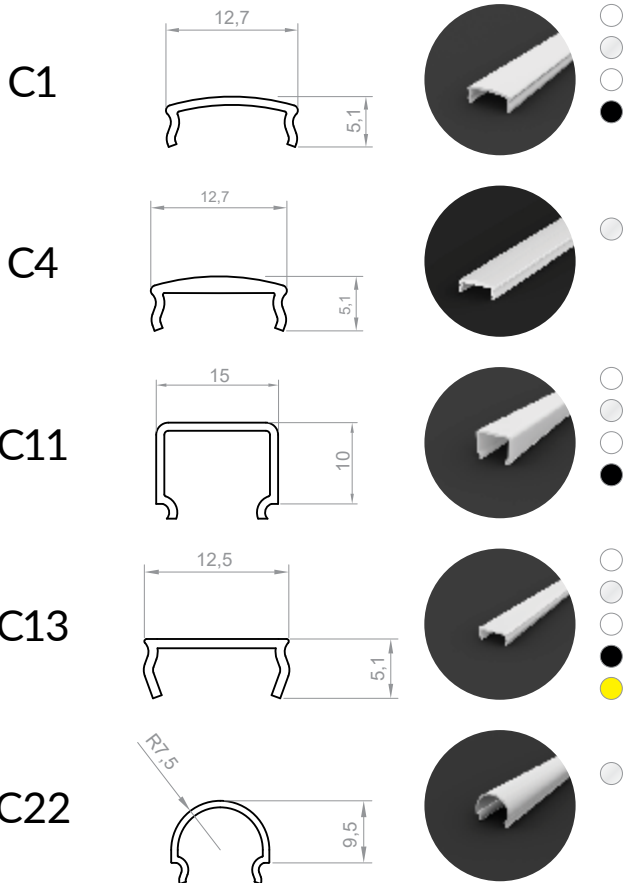
INSTALLATION INSTRUCTIONS



TESA tape

glue

COVERS (CLICK-FIT)



END CAPS



plastic end caps P6-2+C13

INSTALLATION



assembly tape



glue

P6-2

