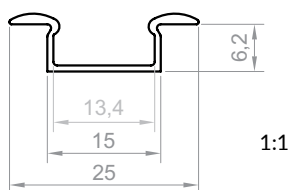


P6-1

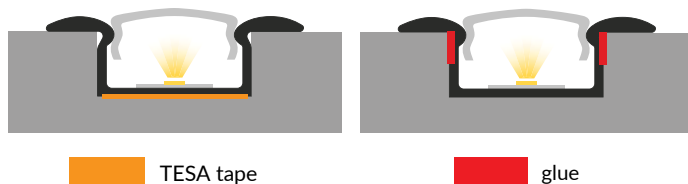
Product code: 866102
EAN code: 5904996207007

PROFILE TYPE	LED TAPE WIDTH
recessed	up to 12 mm
COLOUR VERSIONS	LENGTH
silver anodised painted in white painted in gold painted in black black anodised anthracite grey others - on demand	1000 mm 2000 mm 3000 mm 4000-6000 mm (on demand)

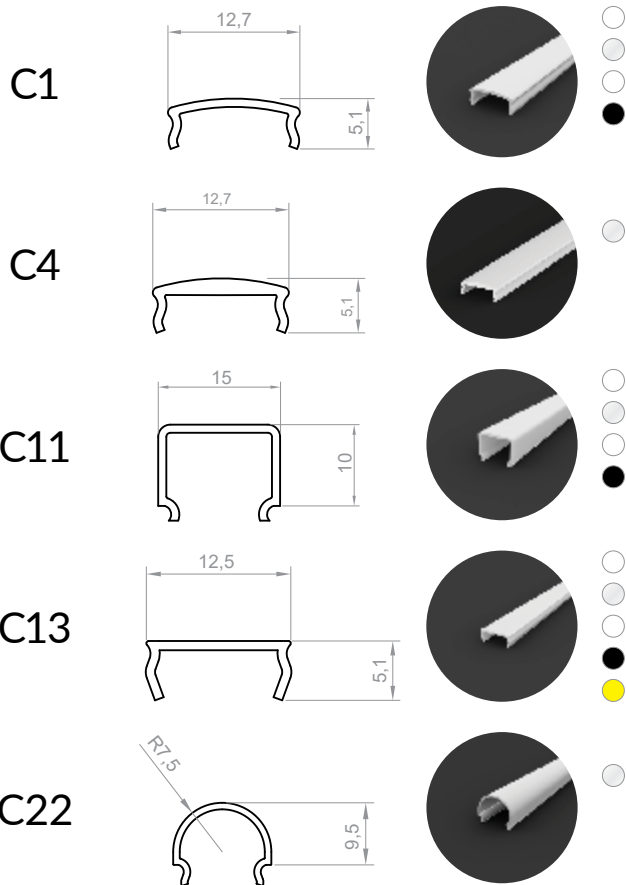
TECHNICAL DRAWING WITH DIMENSIONS



INSTALLATION INSTRUCTIONS



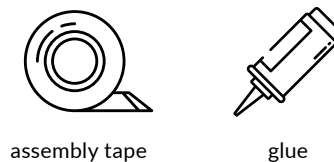
COVERS (CLICK-FIT)



END CAPS



INSTALLATION



P6-1

