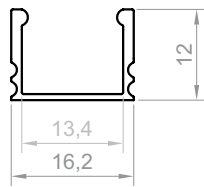


P5-2

Product code: 865202
EAN code: 5904996206949

PROFILE TYPE	LED TAPE WIDTH
surface	up to 12 mm
COLOUR VERSIONS	LENGTH
silver anodised painted in white painted in gold painted in black anthracite grey others - on demand	1000 mm 2000 mm 3000 mm 4000-6000 mm (on demand)

TECHNICAL DRAWING WITH DIMENSIONS



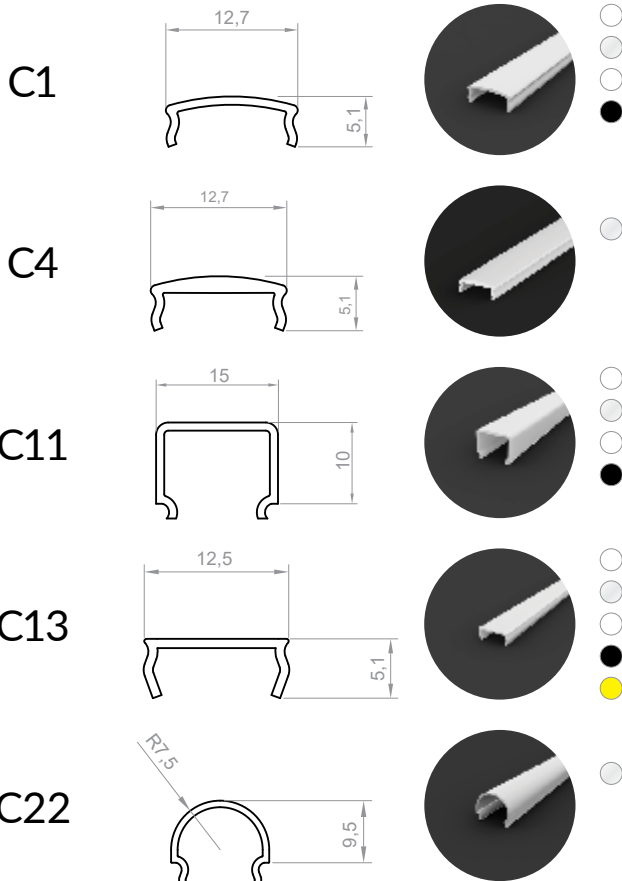
1:1

INSTALLATION INSTRUCTIONS



 TESA tape

COVERS (CLICK-FIT)



END CAPS



plastic end caps P5-2+C1/C4



plastic end caps P5-2+C13

INSTALLATION



  
metal clip



assembly tape

P5-2

