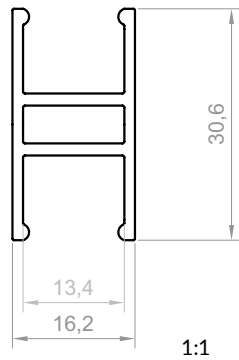


P5-10

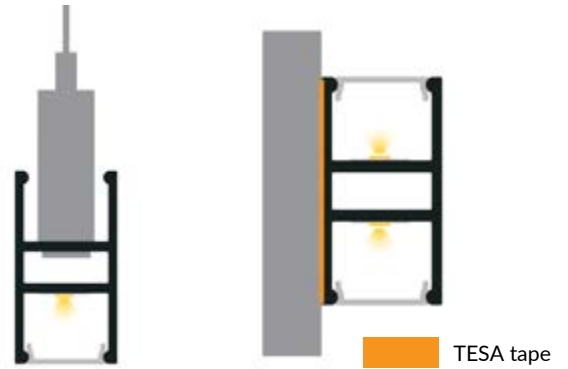
Product code: 8651002
EAN code: 5904996206765

PROFILE TYPE	LED TAPE WIDTH
surface	up to 12 mm
COLOUR VERSIONS	LENGTH
silver anodised painted in white painted in black anthracite grey others - on demand	1000 mm 2000 mm 3000 mm 4000-6000 mm (on demand)

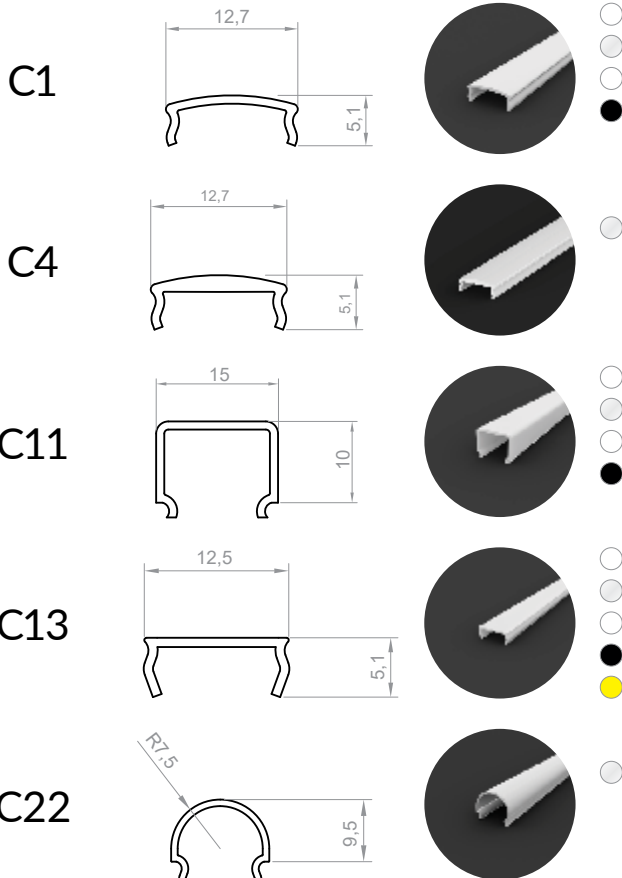
TECHNICAL DRAWING WITH DIMENSIONS



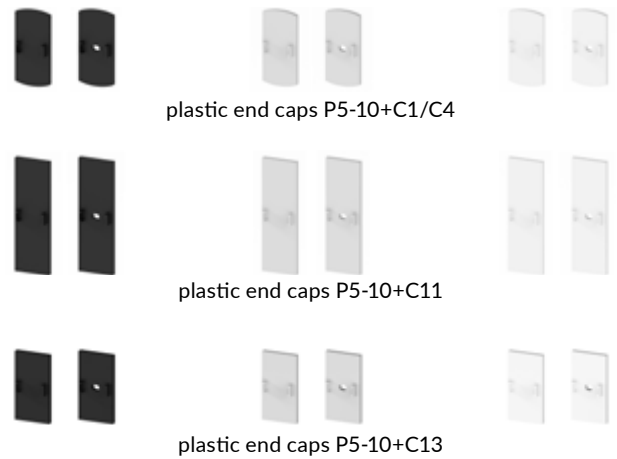
INSTALLATION INSTRUCTIONS



COVERS (CLICK-FIT)



END CAPS



INSTALLATION



P5-10

