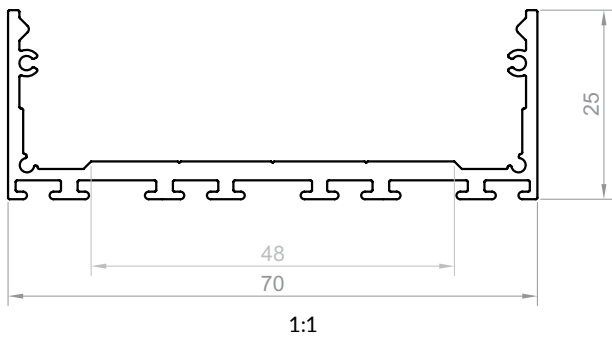


P27-3

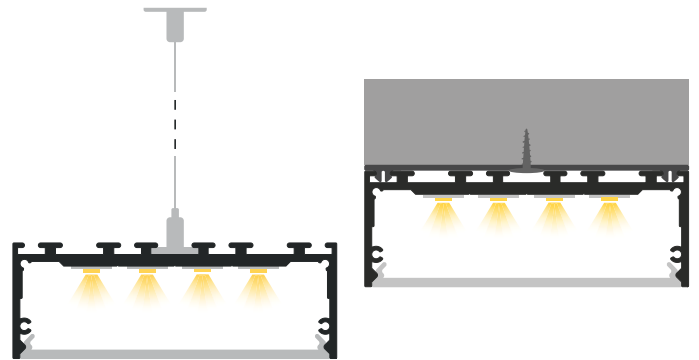
Product code: 8627302
EAN code: 5904996205980

| PROFILE TYPE | LED TAPE WIDTH |
|--|--|
| architectural | up to 6x8 mm up to 5x10 mm up to 4x12 mm |
| COLOUR VERSIONS | LENGTH |
| silver anodised painted in white painted in black anthracite grey others - on demand | 1000 mm 2000 mm 3000 mm 4000-6000 mm (on demand) |

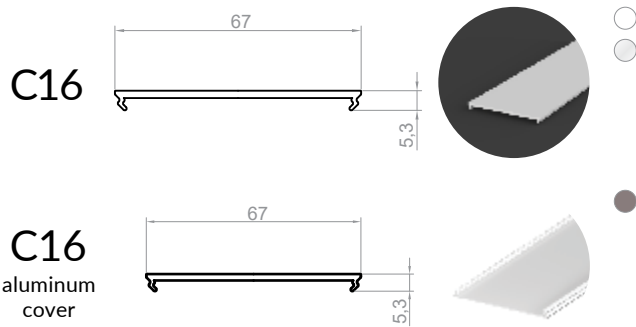
TECHNICAL DRAWING WITH DIMENSIONS



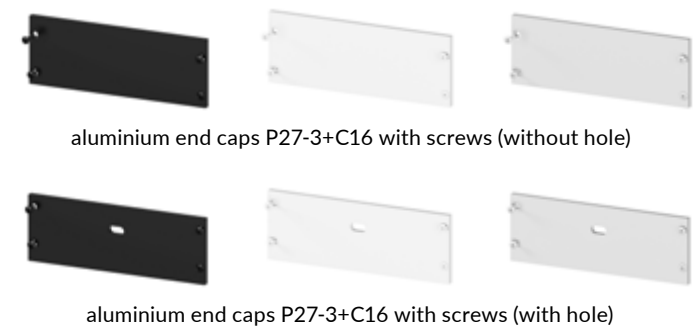
INSTALLATION INSTRUCTIONS



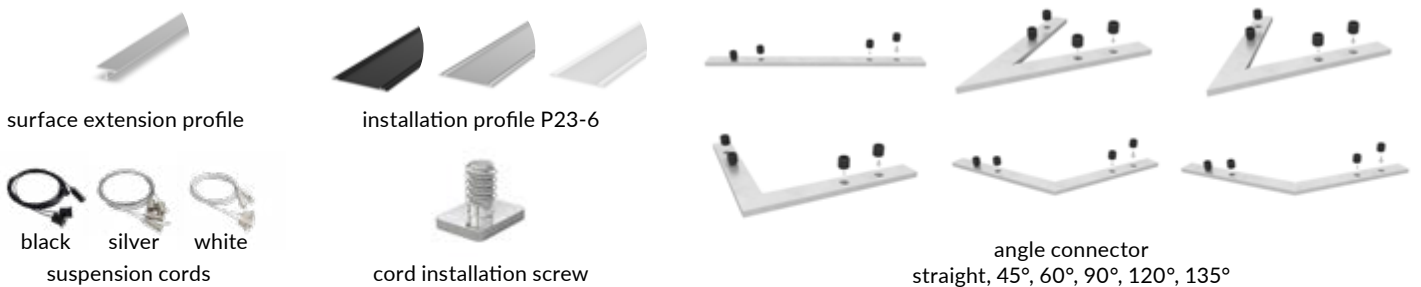
COVERS (CLICK-FIT)



END CAPS



ACCESSORIES AND INSTALLATION



P27-3

