

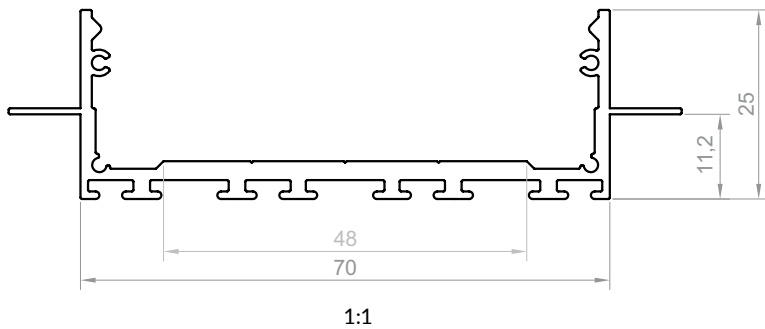


P27-2

Product code: 8627202
EAN code: 5904996205928

PROFILE TYPE	LED TAPE WIDTH
architectural	up to 6x8 mm up to 5x10 mm up to 4x12 mm
COLOUR VERSIONS	LENGTH
silver anodised painted in white painted in black anthracite grey others - on demand	1000 mm 2000 mm 3000 mm 4000-6000 mm (on demand)

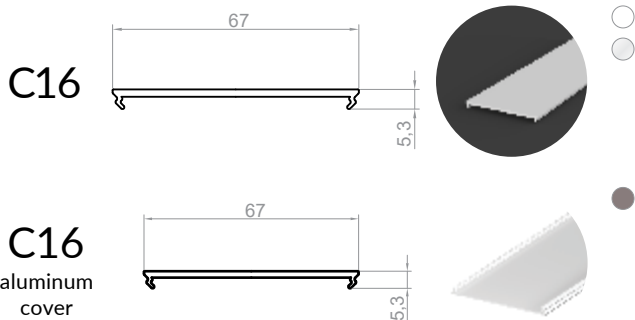
TECHNICAL DRAWING WITH DIMENSIONS



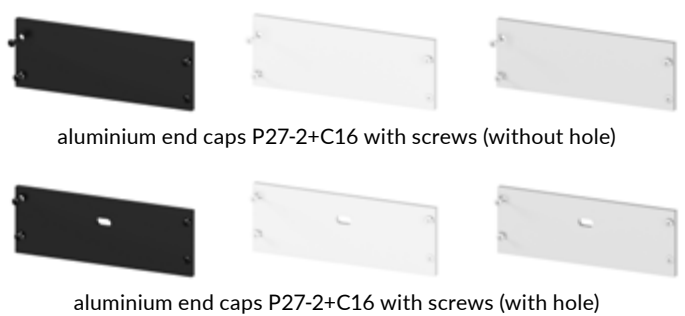
INSTALLATION INSTRUCTIONS



COVERS (CLICK-FIT)



END CAPS



ACCESSORIES AND INSTALLATION



angle connector
straight, 45°, 60°, 90°, 120°, 135°

P27-2

