

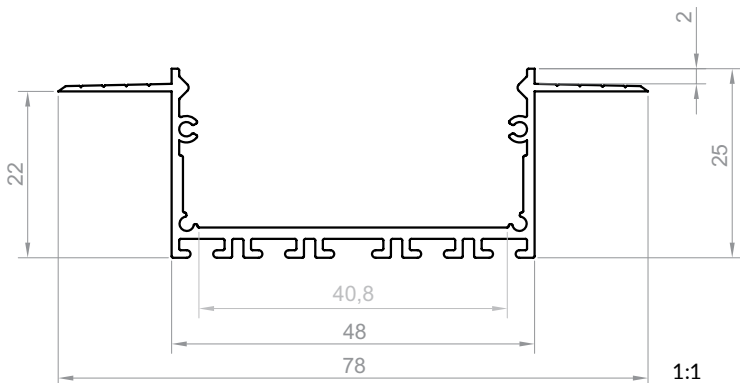


P23-7

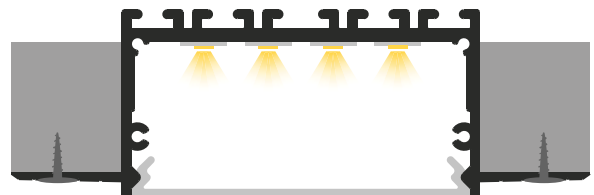
Product code: 8623702
EAN code: 5904996205409

PROFILE TYPE	LED TAPE WIDTH
architectural	up to 3x8 mm up to 2x12 mm
COLOUR VERSIONS	LENGTH
silver anodised painted in white painted in black anthracite grey others - on demand	1000 mm 2000 mm 3000 mm 4000-6000 mm (on demand)

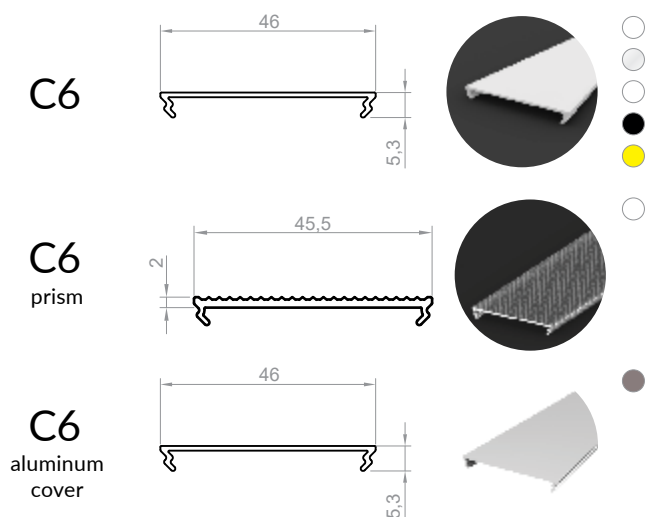
TECHNICAL DRAWING WITH DIMENSIONS



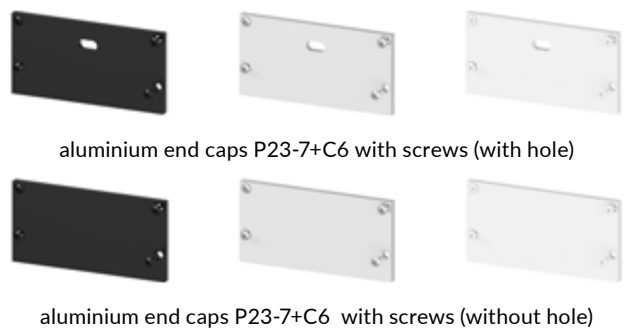
INSTALLATION INSTRUCTIONS



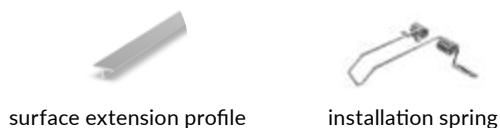
COVERS (CLICK-FIT)



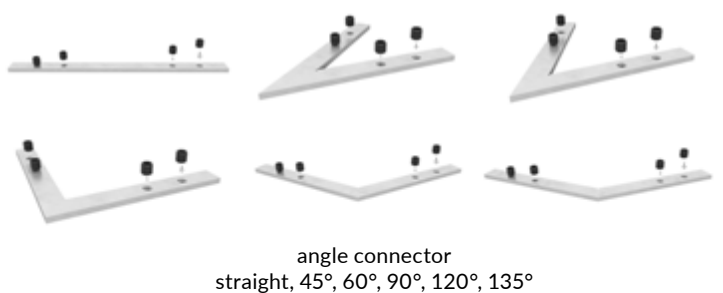
END CAPS



ACCESSORIES AND INSTALLATION



ACCESSORIES AND INSTALLATION



P23-7

