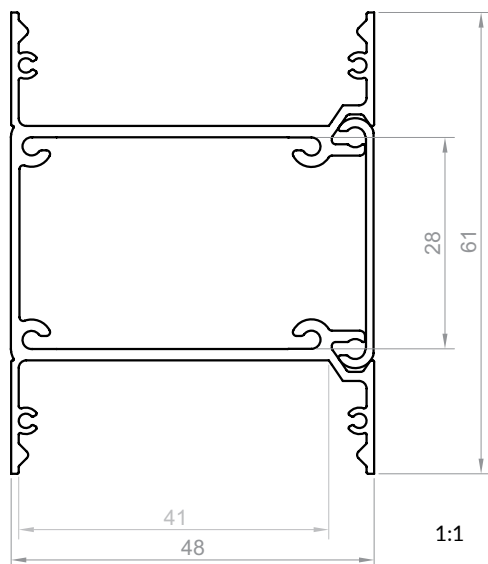


P23-10

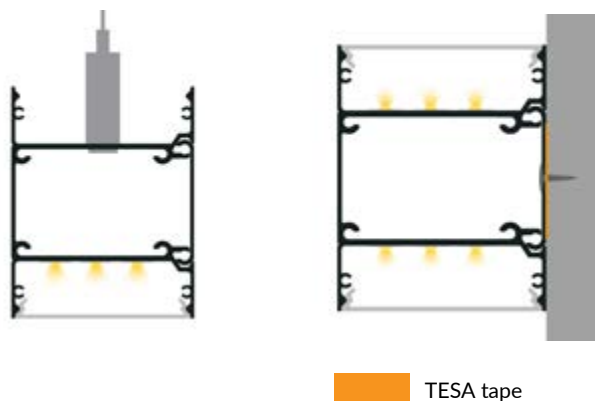
Product code: 86231002
EAN code: 5904996209087

PROFILE TYPE	LED TAPE WIDTH
architectural	up to 5x8 mm up to 4x10 mm up to 3x12 mm
COLOUR VERSIONS	LENGTH
silver anodised painted in white painted in black anthracite grey others - on demand	1000 mm 2000 mm 3000 mm 4000-6000 mm (on demand)

TECHNICAL DRAWING WITH DIMENSIONS

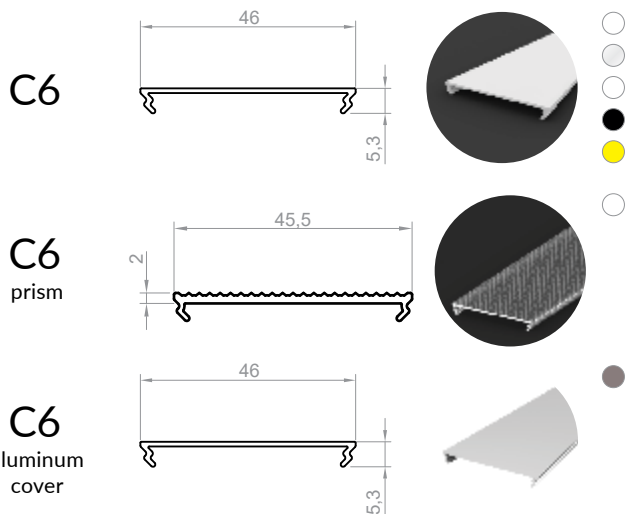


INSTALLATION INSTRUCTIONS



TESA tape

COVERS (CLICK-FIT)



END CAPS



aluminium end caps P23-10+C6 with screws (with hole)

aluminium end caps P23-10+C6 with screws (without hole)

INSTALLATION



black

silver

white

assembly tape

suspension cords

P23-10

