



P22-7

Product code: 8622702

EAN code: 5904996205065

PROFILE TYPE

architectural

LED TAPE WIDTH

up to 3x8 mm
up to 2x12 mm

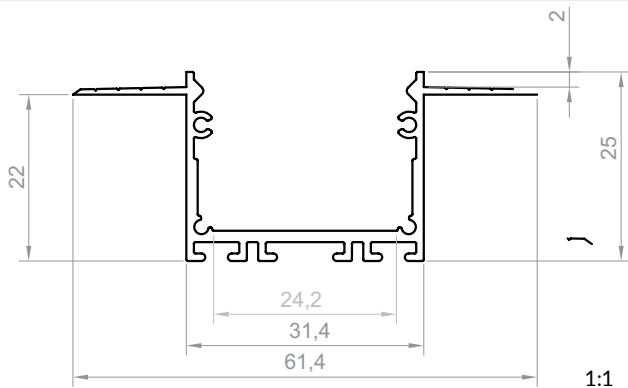
COLOUR VERSIONS

silver anodised
painted in white
painted in black
anthracite grey
others - on demand

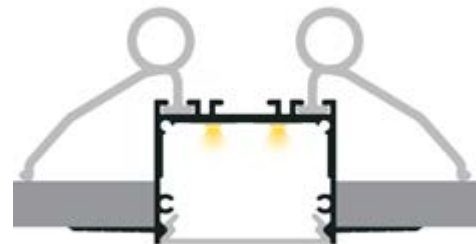
LENGTH

1000 mm
2000 mm
3000 mm
4000-6000 mm
(on demand)

TECHNICAL DRAWING WITH DIMENSIONS

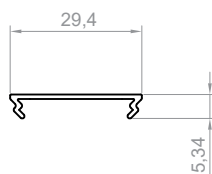
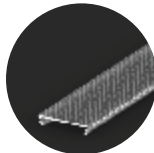
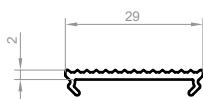
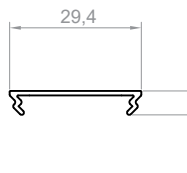


INSTALLATION INSTRUCTIONS



COVERS (CLICK-FIT)

C7

C7
prismC7
aluminum
cover

END CAPS



aluminium end caps P22-7+C7 with screws (with hole)



aluminium end caps P22-7+C7 with screws (without hole)

ACCESSORIES AND INSTALLATION

angle connector
straight, 45°, 60°, 90°, 120°, 135°

ACCESSORIES AND INSTALLATION



surface extension profile



installation spring

P22-7

