

P22-3

Product code: 8622302
EAN code: 5904996204976

PROFILE TYPE

architectural

LED TAPE WIDTH

up to 3x8 mm
up to 2x12 mm

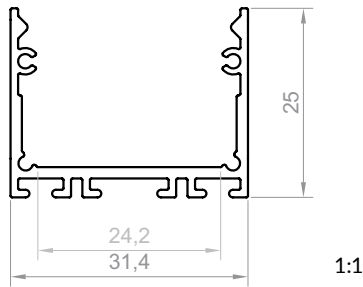
COLOUR VERSIONS

silver anodised
painted in white
painted in gold
painted in black
anthracite grey
others - on demand

LENGTH

1000 mm
2000 mm
3000 mm
4000-6000 mm
(on demand)

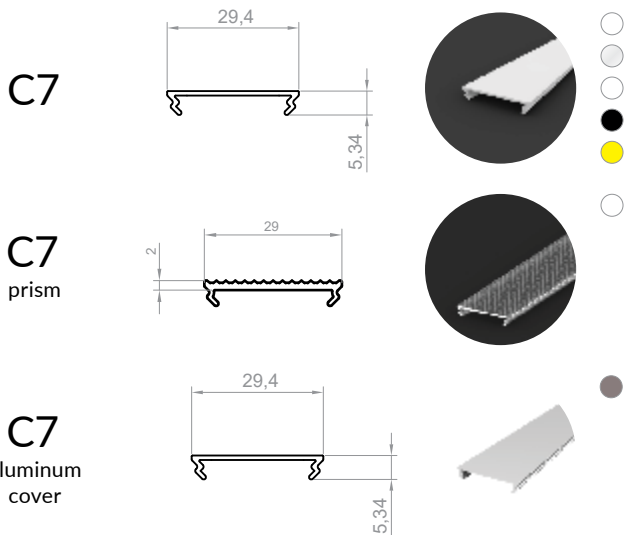
TECHNICAL DRAWING WITH DIMENSIONS



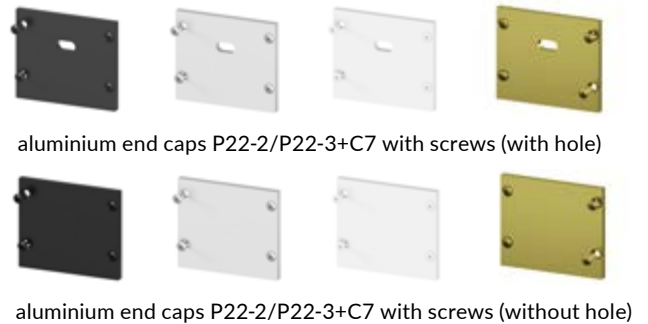
INSTALLATION INSTRUCTIONS



COVERS (CLICK-FIT)



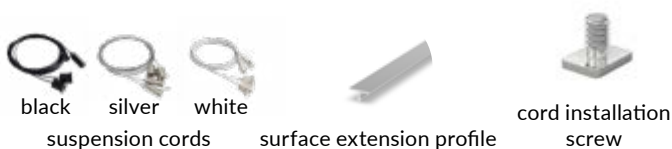
END CAPS



ACCESSORIES AND INSTALLATION



angle connector
straight, 45°, 60°, 90°, 120°, 135°



P22-3

