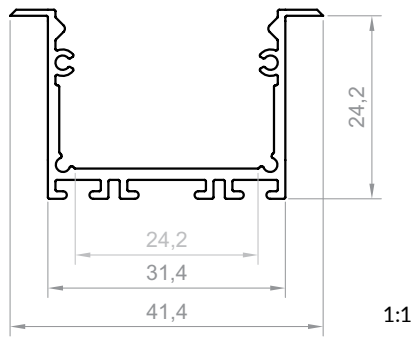


# P22-1

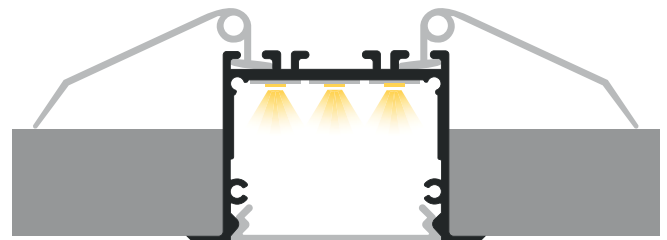
Product code: 8622102  
EAN code: 5904996204846

PROFILE TYPE	LED TAPE WIDTH
architectural	up to 3x8 mm up to 2x12 mm
COLOUR VERSIONS	LENGTH
silver anodised painted in white painted in gold painted in black anthracite grey others - on demand	1000 mm 2000 mm 3000 mm 4000-6000 mm (on demand)

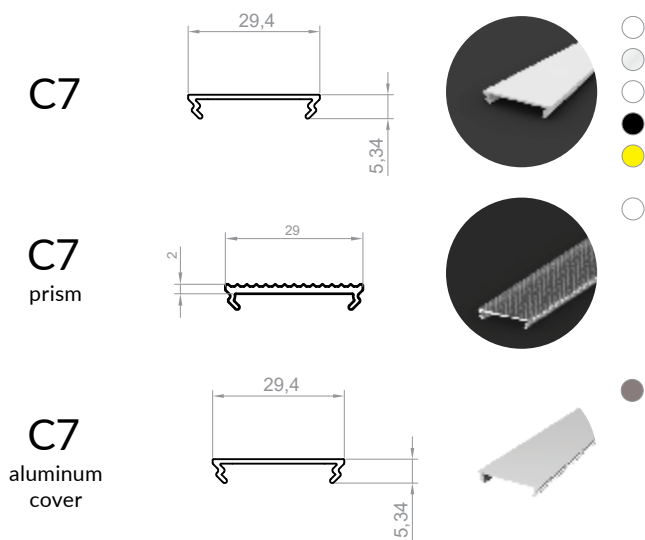
## TECHNICAL DRAWING WITH DIMENSIONS



## INSTALLATION INSTRUCTIONS



## COVERS (CLICK-FIT)

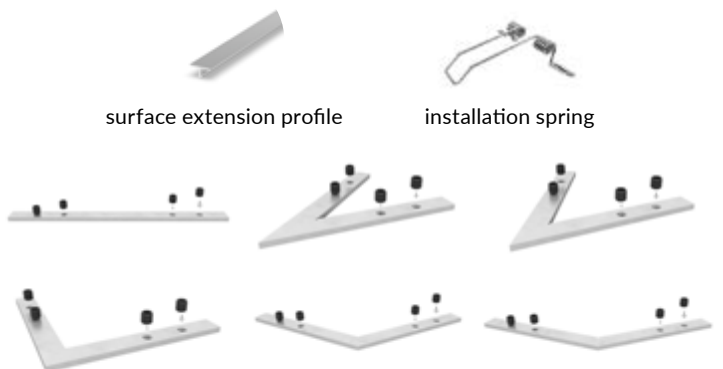


## END CAPS



aluminium end caps P22-1+C7 with screws (without hole)

## ACCESSORIES AND ASSEMBLY



angle connector  
straight, 45°, 60°, 90°, 120°, 135°

# P22-1

