

# P21-1

Product code: 8621102

EAN code: 5904996204730

## PROFILE TYPE

architectural

## LED TAPE WIDTH

up to 5x8 mm  
 up to 4x10 mm  
 up to 3x12 mm

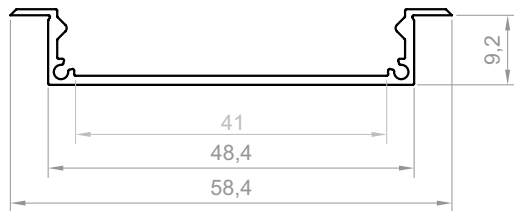
## COLOUR VERSIONS

silver anodised  
 painted in white  
 painted in black  
 anthracite grey  
 others - on demand

## LENGTH

1000 mm  
 2000 mm  
 3000 mm  
 4000-6000 mm  
 (on demand)

## TECHNICAL DRAWING WITH DIMENSIONS



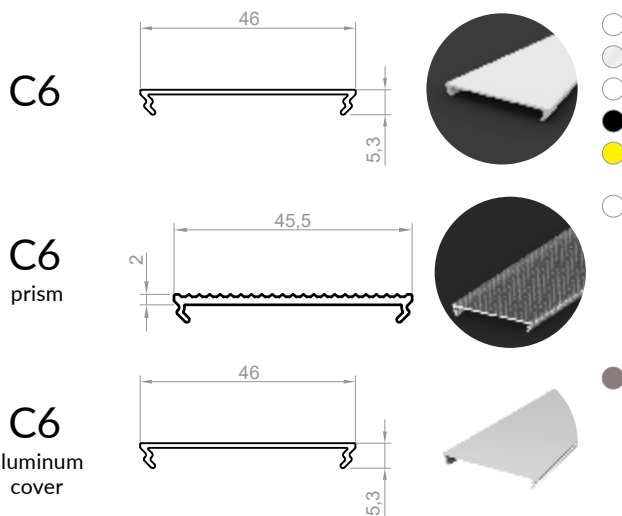
1:1

## INSTALLATION INSTRUCTIONS


 TESA tape

 glue

## COVERS (CLICK-FIT)



## END CAPS

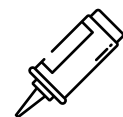


aluminium end caps P21-1+C6 with screws (without hole)

## INSTALLATION



assembly tape



glue

# P21-1

