

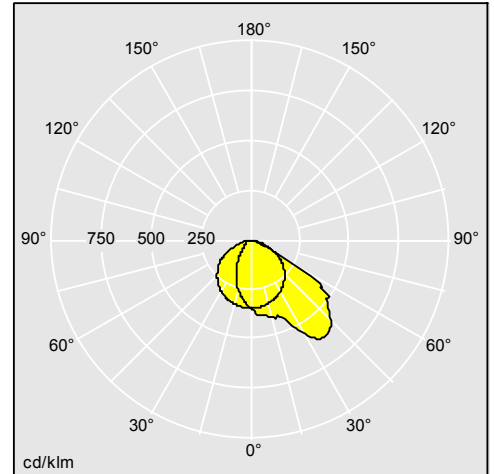
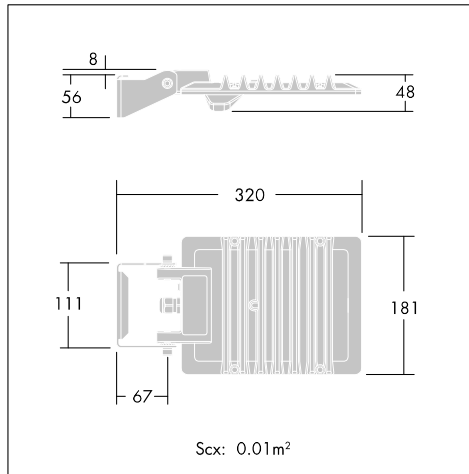
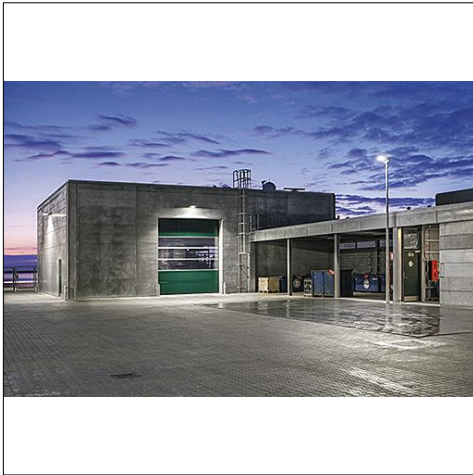
LED Fit

An ultra lightweight, reliable and efficient alternative to general purpose HID floodlights with best in class optic

- Ultra lightweight, compact design for ease of installation and minimal aesthetic impact
- True asymmetric optic provides light distribution and excellent light control (0cd at 90°) with no need to tilt
- Maintenance free for 50 000 hours lifetime
- Reduce energy consumption by approximately 80% compared to similar HIT solutions



Photographs, line drawings and photometric data are representative only. For specific product detail please select an individual product.



96628333

Material/Finish

Body : die-cast aluminium light grey 150 sanded textured (close to RAL9006)

Stirrup : aluminium
(EN AC-46000)

Visor : polycarbonate with external surface powder coated RAL 9006 (light grey)

Standard corrosion class: C3

Installation/Mounting

Pre-wired with 60cm cable.

Stirrup can be fixed via three fixation points - one M10 and two M8 - and is reversible allowing different mounting positions.

Specification

To specify state:

A simple, reliable and efficient alternative to general purpose HID floodlights with true asymmetric optic to cover the requirements of low area lighting, building surroundings and facade lighting. Ultra lightweight, compact design for ease of installation and minimal aesthetic impact available in 2 sizes - Small and Medium - with lumen packages of 4.500lm and 9.000lm and high mechanical resistance (IP66, IK07). The reversible mounting stirrup allows different mounting positions to cover all the applications needs.

As Thorn LED Fit

LED Fit

Ordering Guide

Description	ILCOS Code	Socket	Wt (kg)	SAP Code
LED Fit				
LEDFIT S 45W A/S CL1 L840	LED		1,7	96628332
LEDFIT M 90W A/S CL1 L840	LED		3	96628333
LEDFIT S 45W A/S CL1 L830	LED		1,7	96633103
LEDFIT M 90W A/S CL1 L830	LED		3	96633104