

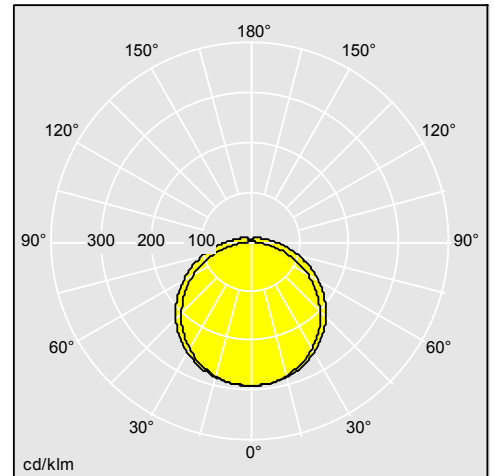
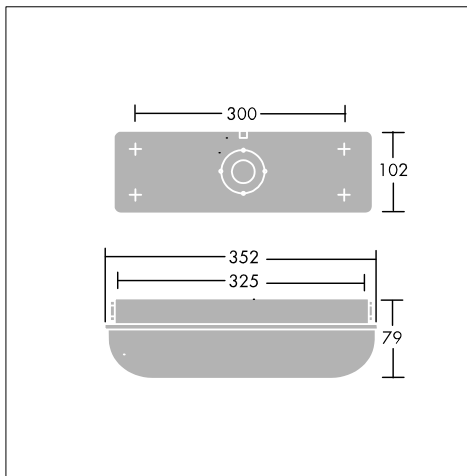
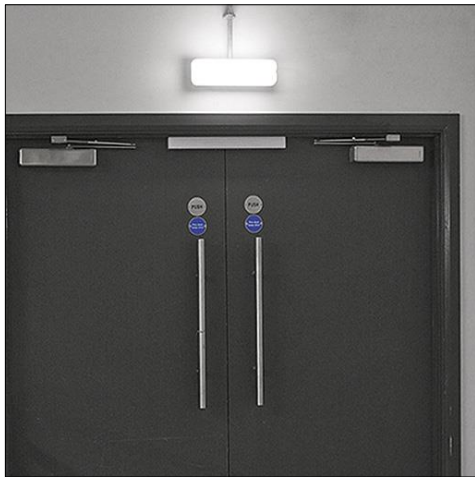
Escort

A robust and durable bulkhead for surface mounting, sealed to IP65

- Durable cast alloy construction for interior and exterior usage
- Industrial or public amenity environmental usage
- Vandal resistant materials and fixings
- DALI and emergency E3 version available
- Wireless communication between luminaires thanks to the basicDIM modules
- Controlled via app built on Bluetooth® mesh technology



Photographs, line drawings and photometric data are representative only. For specific product detail please select an individual product.



96630600

Material/Finish

Body: cast aluminium, finished white

Diffuser: opal polycarbonate with vandal resistant screws

Installation/Mounting

Direct wall or ceiling mounting. Drill points on rear for ceiling/wall box/BESA mounting. Rear cable entry hole and mounting points pre-drilled and sealed with rubber grommets. Ø20mm cable entry at either end and 4 fixing points. 3 way terminal block, 2x2.5mm² capacity. Cable gland and blanking grommets (2) supplied.

Specification

To specify state:

Self-contained exterior LED bulkhead with either selectable lumen output with emergency option (800/1000 lm) or DALI dimming (800 lm, 1000 lm). Additional options available such as integral microwave presence sensor and wireless connectivity. Cast aluminium body and opal polycarbonate diffuser. IP65. IK10.

As Thorn Escort

Escort

Ordering Guide

Description	ILCOS Code	Socket	Wt (kg)	SAP Code
Escort				
ESCORT I-SLCT 800/1K-840 HF	LED		1	96636082
ESCORT 800-840 HF			1	96636106
ESCORT 1000-840 HF			1	96636107
Escort emergency				
ESCORT I-SLCT 800/1K-840 HF E3	LED		1,213	96636191
ESCORT 800-840 HF E3			1,3	96636197
ESCORT 1000 840 HF E3			1,3	93917015