

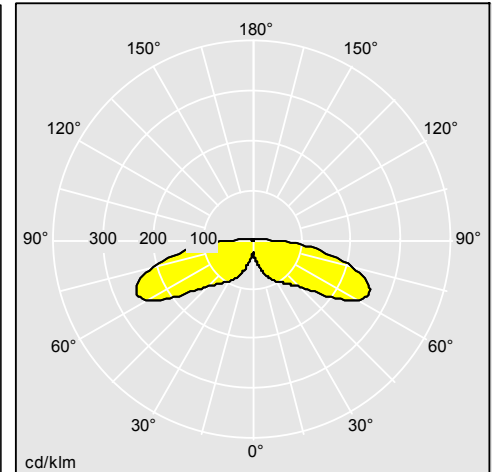
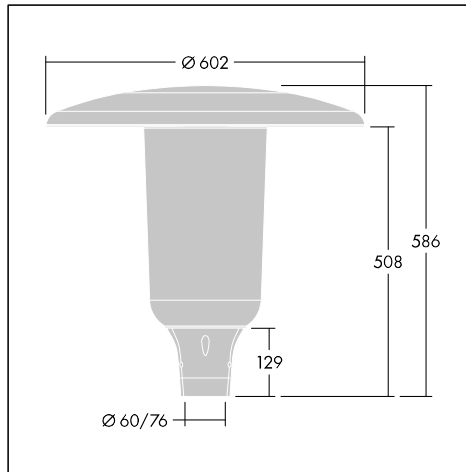
## Aerie

### A discreet urban element that puts light where and when people need it

- With its soft glow, Aerie provides the best visual comfort during the night life through the urban environment
- Most advanced retrofit and sustainable solution to adapt to any urban project with regards to day and night aesthetic, photometric needs and controls requirements
- Delivers light only when people need it, with its high-quality integrated motion sensor, enabling energy savings while ensuring safety
- Can be installed close to residences thanks to its unobtrusive external louvre that can easily be added on-site
- Offers a great flexibility of mast configurations, styles, mountings and heights
- Can be installed in the most demanding areas such as sea sides and high temperature environments



Photographs, line drawings and photometric data are representative only. For specific product detail please select an individual product.



96632308

### Material/Finish

Base and canopy: corrosion resistant die cast aluminium (EN AC-44300), powder coated texturized anthracite (close to RAL7043). Standard corrosion class C5 according to ISO 9223: 2012.

Additional colours available via myProduct

Bowl : UV stabilised polycarbonate - clear (IK10) and opal finishes

Internal highly reflective white reflector

### Installation/Mounting

Post top mounting : Ø60mm and Ø76mm, pre-wired for ease of installation, with one tool. 120° fixing screws for a perfect adjustment on the pole, toolless opening with quick access from above, toolless maintenance of the gear tray, maintenance of bowl possible on site.

### Specification

To specify state:

Post top LED lantern with a timeless design with a variety of optical cover shapes and finishes to adapt to different environments and needs. Efficient (Up to 146 lm/W (3000 K) - up to 160 lm/W (4000 K) R-PEC or A-PEC optic with a choice of light distributions for precise light placement with minimum waste of light. Comfortable for citizens thanks to an optimized diffuser. Wide range of intelligent lighting control solutions from stand-alone dimming to full remote control via central monitoring system. Incorporates up to two Zhaga connectors located on and/or underneath the canopy for a completely flexible and futureproof solution.

As Thorn Aerie

## Aerie

### Ordering Guide

Description	ILCOS Code	Socket	Wt (kg)	SAP Code
<b>Aerie Wide, Rotationally symmetric optic</b>				
ARW 18L35-740 RS CL-D CL2 W5 T60 ANT	LED		11,06	96632271
ARW 18L70-830 RS CL-D LRT CL2 W5 T76 ANT	LED		11,24	96632273
ARW 18L35-740 RS CL-D CL1 W5 T76 ANT	LED		11,22	96632308
ARW 18L50-740 RS CL-D CL2 W5 T60 ANT	LED		11,06	96632766
ARW 18L70-740 RS CL-D CL2 W5 T60 ANT	LED		11,06	96632767
ARW 18L105-740 RS CL-D CL2 W5 T60 ANT	LED		11,06	96632768
ARW 18L50-740 RS CL-D CL1 W5 T76 ANT	LED		11,23	96632914
ARW 18L70-740 RS CL-D CL1 W5 T76 ANT	LED		11,23	96632915
ARW 18L105-740 RS CL-D CL1 W5 T76 ANT	LED		11,23	96632916
<b>Aerie Wide, Wide street comfort optic</b>				
ARW 12L35-740 WSC CL CL2 W5 T60 ANT	LED		10,95	96632263
ARW 12L50-730 WSC CL LRT CL2 W5 T76 ANT	LED		10,96	96632265
ARW 24L35-740 WSC CL CL2 W5 T60 ANT	LED		10,95	96632268
ARW 12L35-740 WSC CL CL1 W5 T76 ANT	LED		11,12	96632306
ARW 24L35-740 WSC CL CL1 W5 T76 ANT	LED		11,17	96632307
ARW 12L50-740 WSC CL CL2 W5 T60 ANT	LED		10,95	96632761
ARW 12L70-740 WSC CL CL2 W5 T60 ANT	LED		10,95	96632762
ARW 12L105-740 WSC CL CL2 W5 T60 ANT	LED		10,95	96632763
ARW 24L50-740 WSC CL CL2 W5 T60 ANT	LED		10,95	96632764
ARW 24L70-740 WSC CL CL2 W5 T60 ANT	LED		10,95	96632765
ARW 24L50-740 WSC CL CL1 W5 T76 ANT	LED		11,12	96632911
ARW 24L70-740 WSC CL CL1 W5 T76 ANT	LED		11,12	96632912
ARW 12L50-740 WSC CL CL1 W5 T76 ANT	LED		11,12	96632907
ARW 12L70-740 WSC CL CL1 W5 T76 ANT	LED		11,12	96632908
ARW 12L105-740 WSC CL CL1 W5 T76 ANT	LED		11,12	96632909
<b>Aerie Slim, Rotationally symmetric optic</b>				
ARS 18L35-740 RS CL-D CL2 W5 T60 ANT	LED		11,07	96632282
ARS 18L35-740 RS CL-D CL1 W5 T76 ANT	LED		11,24	96632311
ARS 18L50-740 RS CL-D CL2 W5 T60 ANT	LED		11,07	96632775
ARS 18L70-740 RS CL-D CL2 W5 T60 ANT	LED		11,07	96632776
ARS 18L105-740 RS CL-D CL2 W5 T60 ANT	LED		11,07	96632777
ARS 18L70-740 RS CL-D CL1 W5 T76 ANT	LED		11,24	96632926
ARS 18L50-740 RS CL-D CL1 W5 T76 ANT	LED		11,24	96632925
ARS 18L105-740 RS CL-D CL1 W5 T76 ANT	LED		11,24	96632927
<b>Aerie Slim, Wide street comfort optic</b>				
ARS 12L35-740 WSC CL CL2 W5 T60 ANT	LED		10,99	96632275
ARS 24L35-740 WSC CL CL2 W5 T60 ANT	LED		11,04	96632279
ARS 12L35-740 WSC CL CL1 W5 T76 ANT	LED		11,16	96632309
ARS 24L35-740 WSC CL CL1 W5 T76 ANT	LED		11,21	96632310
ARS 12L50-740 WSC CL CL2 W5 T60 ANT	LED		10,99	96632770
ARS 12L70-740 WSC CL CL2 W5 T60 ANT	LED		10,99	96632771
ARS 12L105-740 WSC CL CL2 W5 T60 ANT	LED		10,99	96632772
ARS 24L50-740 WSC CL CL2 W5 T60 ANT	LED		11,04	96632773

## Aerie

Description	ILCOS Code	Socket	Wt (kg)	SAP Code
ARS 24L70-740 WSC CL CL2 W5 T60 ANT	LED		11,04	96632774
ARS 24L70-740 WSC CL CL1 W5 T76 ANT	LED		11,21	96632923
ARS 24L50-740 WSC CL CL1 W5 T76 ANT	LED		11,21	96632922
ARS 12L50-740 WSC CL CL1 W5 T76 ANT	LED		11,16	96632918
ARS 12L70-740 WSC CL CL1 W5 T76 ANT	LED		11,16	96632919
ARS 12L105-740 WSC CL CL1 W5 T76 ANT	LED		11,16	96632920
<b>Aerie accessories</b>				
ARW LV			0,8	96632480
ARS LV			0,8	96632481