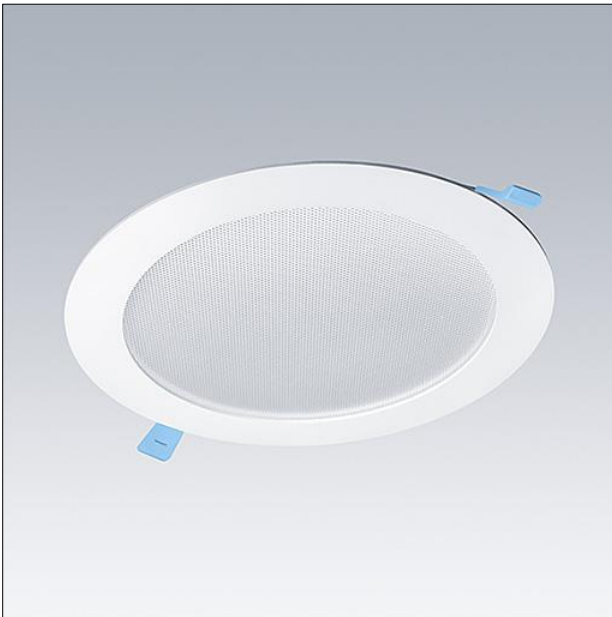
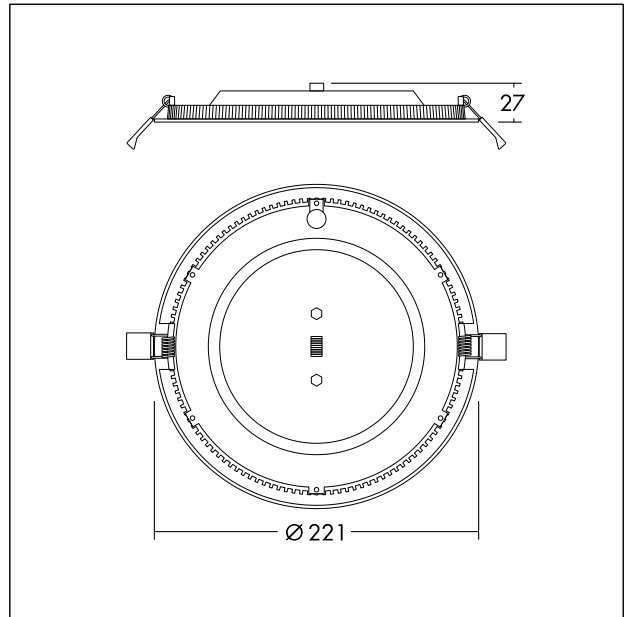


LED ceiling-recessed luminaire

LED ceiling-recessed luminaire, with improved perceived glare and microprismatic diffusor. Product height of only 27 mm: fits various ceiling types. Replaces conventional downlights 2x18W CFL and offers at least 50 % energy saving. Total luminous flux: 2000 lm, Luminaire input power: 19 W, Luminaire efficacy: 105 lm/W correlated colour temperature (CCT) adjustable via switch for warm white (3000K, neutral white (3500K) or cold white (4000K). ) to suit application use. Lifetime: 50.000hrs @L80, Colour Rendering: CRI > 80. Chromaticity tolerance (initial MacAdam): 4. Body: backplate - steel, frame - aluminum, white finish (RAL9003). Light guide panel: PMMA. Diffuser: PC. IP44 from the room side. Connector for easy and tool-free wiring. DALI driver offering dimming range 1 to 100% via DALI-2 and switchDIM. Available accessories: Plug&Play "Just Emergency E3 KIT" for 3h emergency operation. Detailed power setting information available on [www.THORNeco.com](http://www.THORNeco.com). Dimensions: Ø221 x 27 mm, weight: 0.55 kg



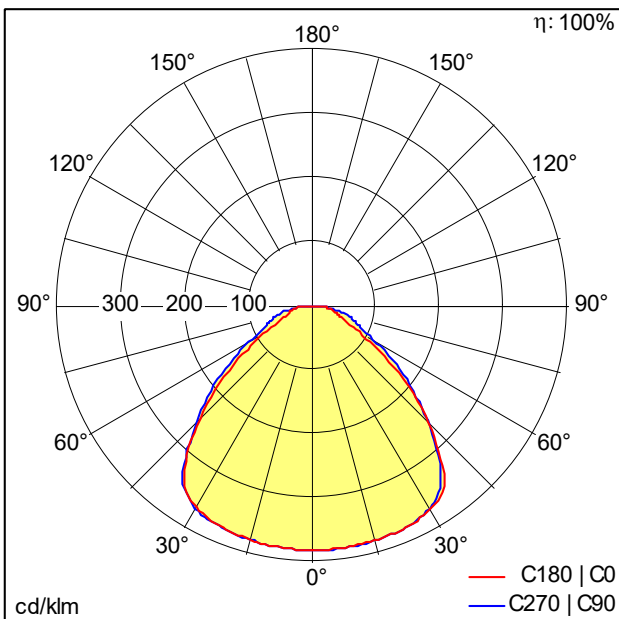
TE\_ZOEVF\_F\_PERSP\_UNLIT.jpg



TE\_ZOEVF\_M\_200.wmf

Light Distribution

STD - standard



TE\_ZOE\_VARIO\_200\_2000\_840\_DALI.idt

- Light Source: LED
- Luminaire luminous flux\*: 2000 lm
- Luminaire efficacy\*: 105 lm/W
- Colour Rendering Index min.: 80
- Correlated colour temperature\*: 3000-4000 Kelvin
- Chromaticity tolerance (initial MacAdam): 4
- Rated median useful life\*: L80 50000 h at 25 °C
- Ballast: 1x LED\_Con
- Luminaire input power\*: 19 W Power factor = 0.9
- Dimming: HFIX dimmable to 1%
- Maintenance category CIE 97: D - Enclosed IP2X

Please also consult the additional information on the next page

ZOE VARIOFLEX



ZOE VARIO 200 2000 830/835/840 DALI

96637643

LED ceiling-recessed luminaire