



- **Smallest CASAMBI Outdoor DALI-Modul für 230VAC, up to 25 DALI members.**
- **Smallest power consumption, 2 Watts (0.7 Watts standby).**
- **Simply operates with Casambi.**

The Casambi Outdoor DALI module consists of the basic module LIGA.AIR.OD.DALI.240+ and the antenna LIGA.AIR.OD.DALI.ANT and is controlled with the Casambi App.

The basic module is directly connected to 100-240 VAC and has a DALI-BUS output which can be loaded up to max. 50mA or with up to 25 DALI members.

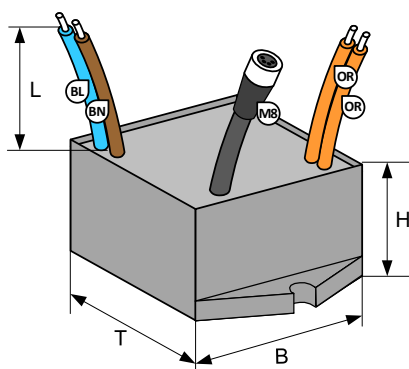
The detachable, and potted antenna is connected to the base module by means of a waterproof M8 connector and for better reception it can be located outdoors several meters (optionally even more extendable) from the base module.

The base module is encapsulated in a black polycarbonate housing and has the dimensions 44 x 44 x 23mm and allows easy installation in flush-mounted boxes or in a cable duct.

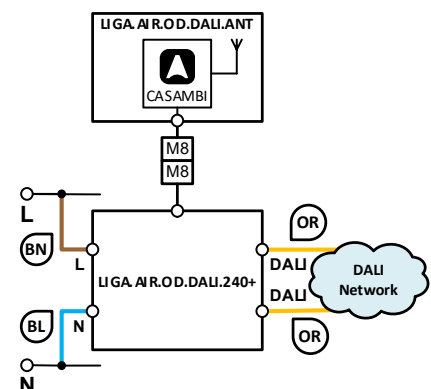
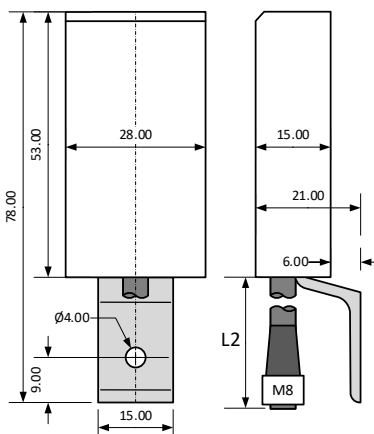
#### Dimensional drawing:

#### Schematics:

##### Basic Module



##### Antenna



**Installation only by a professional electrician according to the local regulations!**

**Technische Daten:**

Dimension (T x B x H)	44 x 44 x 23mm
Weight base module / antenna / total	75g / 95g / 170g
Colors base module / antenna	Black / aluminum nature and white
Mounting base module / antenna	In flush-mounted boxes or cable ducts etc.
Environmental conditions	Operation: Temperature -20 ... 50°C, humidity < 85%rH Stock: Temperature -25 ... 65°C, humidity < 95%rH
Protection type / Protection class	IP64, EN-60529 / Appliance Class II
Connections Power supply	Flexible 1mm <sup>2</sup> (AWG17), L = 150mm: Brown (BN): L, phase conductor Blue (BL): N, neutral conductor
Connections DALI	Flexible 1mm <sup>2</sup> (AWG17), L = 150mm: 2 x Orange (OR), DALI BUS voltage 17 Volt Output current 50mA max (for approx. 25 DALI members)
Connection antenna	Waterproof M8 connector, L+L2 = approx. 2m, with suitable M8 cable (optional) extendable to max. 5m
Power supply / Frequency	100-230VAC, 50Hz
Power consumption	Max. 2 Watts (0.7W standby)
Standards	Low Voltage Directive (LVD) 2014/35/EU, EN 60669-2-1 Electromagnetic compatibility (EMC) 2014/30/EU
CASAMBI Modul Standards	Bluetooth 4.0 Wireless Control
Switching times	Configurable with the Casambi application (App Store, Google Play)
Applications	Switching and dimming of loads e.g. lamps etc.
Scope of delivery	1 Basic module, 1 Antenna

**Kompatible Geräte:****iPhone 4S** oder später**iPad 3** oder später**iPod Touch 5. Generation** oder später**Android 4.4 KitKat** oder spätere Geräte

hergestellt nach 2013 mit vollem Bluetooth 4.0

Support

**Reichweite:**

Casambi verwendet die MESH Netzwerk-Technologie. Jedes Gerät verhält sich wie ein Repeater und frischt das empfangene Bluetooth Signal für die folgenden Geräte auf.

Grössere Reichweiten können also mit weiteren Casambi Geräten erzielt werden.

1) Die Reichweite hängt auch stark von der Umgebung und Hindernissen wie Wänden und Baumaterialien ab.

