



- Compact DIN rail module with 4 DALI networks and 4 push button inputs
- Up to a total of 100 DALI members (25 members per DALI network)
- Compatible with DIN rail supports according to EN 50022.
- Simply operates with Casambi.

The DALI DIN-rail module LIGA.AIR.4.DALI.4.T.240 is supplied with 100-240VAC and controlled with the Casambi app.

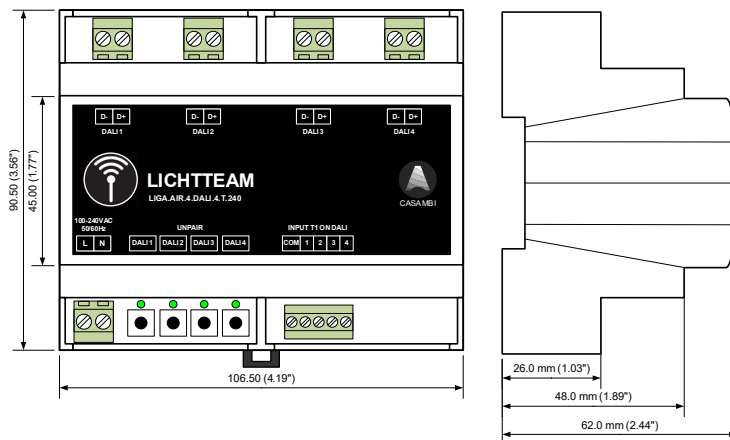
The module contains 4 powered DALI networks (DALI 1 - DALI 4), each of which can be loaded up to a maximum of 50mA, which corresponds to a capacity of approx. 25 DALI members.

The module also has a galvanically isolated button input per DALI network.

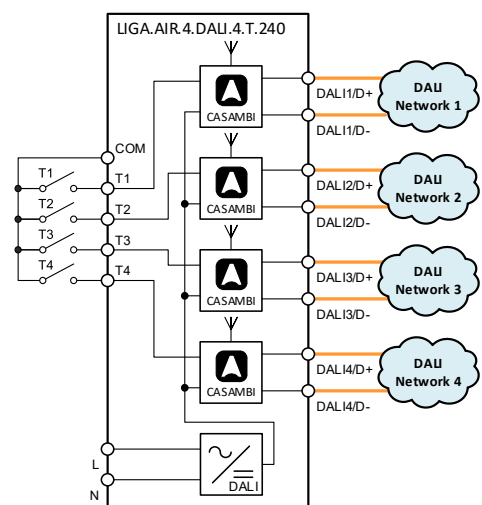
The functions of the 4 button inputs can be freely programmed in the Casambi APP.

The module is built into an ABS DIN housing for mounting on top hat rails according to EN50022. This in the color RAL7035 and the width D6 with the dimensions 106.5 x 90.5 x 62mm.

**Dimensional drawing:**



**Schematics:**



**Installation only by a professional electrician according to the local regulations!**

**Technical specifications:**

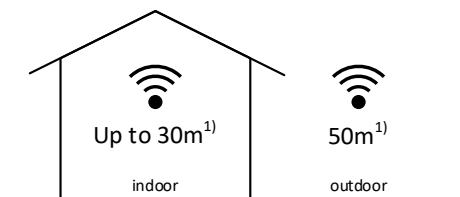
Dimension (T x B x H)	106.5 x 90.5 x 62mm
Weight	190g
Color	DIN rail enclosure, light gray (RAL7035)
Mounting	On top of DIN rails according to EN50022
Environmental conditions	Operation: Temperature -20 ... 50°C, humidity < 85%rH Stock: Temperature -25 ... 65°C, humidity < 95%rH
Protection type / class	IP44, EN-60529 / Appliance Class II
Connections	Captive screw terminals up to a conductor diameter of 2.5mm <sup>2</sup> (AWG14): L: Supply phase conductor, N: Supply neutral conductor, REL1–8: Relay contacts Detachable terminal block up to a conductor diameter of 1.5mm <sup>2</sup> (AWG22). COM: Common push button input, T1-T4 Push buttons contacts input (dry contact)
Supply / consumption	100-240VAC (50-60Hz) / 10W
DALI Output	17VDC / 50mA
Displays	4 LED green: Operation DALI1 – DALI4
Control elements	Push button [UNPAIR]: Used to log off the module from the CASAMBI network.
Standards	Low Voltage Directive (LVD) 2014/35/EU, EN 60669-2-1 Electromagnetic compatibility (EMC) 2014/30/EU
CASAMBI Modul Standards	Bluetooth 4.0 Wireless Control
Switching times	Configurable with the Casambi application (App Store, Google Play)
Applications	Switching and Dimming on of loads e.g. lamps etc.
Scope of delivery	1 Pcs. 4DALI-Module

**Compatible devices:**



**iPhone 4S** or later  
**iPad 3** or later  
**iPod Touch 5th gen** or later.  
**Android 4.4 KitKat** or later devices  
 produced after 2013 with full BT 4.0 support.

**Range:**



Casambi uses mesh network technology so each CBU-ASD acts also as a repeater.

Longer ranges can be achieved by using multiple Casambi units.

Range is highly dependent on the surrounding and obstacles, such as walls and building materials.

