



#### Driver LC 38W 350–1050mA bDW TW C PRE2

premium series Tunable White

#### Product description

- Dimmable built-in constant current 2-channel LED driver
- Forms automatically a wireless communication network with up to 250 nodes
- Dimming range 1 – 100 %
- Suitable for luminaires of protection class I and protection class II
- Adjustable output current between 350 and 1,050 mA via I-SELECT 2 plugs
- Max. output power 38 W
- Up to 87 % efficiency
- Power input in stand-by < 0.4 W
- Nominal lifetime up to 100,000 h
- 5 years guarantee (conditions at [www.tridonic.com](http://www.tridonic.com))



#### Housing properties

- Casing: polycarbonate, white
- Type of protection IP20

#### Interfaces

- basicDIM Wireless
- Terminal blocks: 45° push terminals

#### Functions

- Adjustable output current in 1-mA-steps (I-SELECT 2)
- Constant light output function (CLO)
- Power-up fading and fade2zero
- Protective features (overtemperature, short-circuit, overload, no-load, reduced surge amplification)
- Intelligent Voltage Guard (overvoltage and undervoltage monitoring)
- Suitable for emergency lighting acc. to EN 50172

#### Benefits

- Application-oriented operating window for max. compatibility
- Best energy savings due to low stand-by losses

#### Typical applications

- For spot light and downlight in retail and hospitality applications
- Tunable white application



**Standards**, page 5



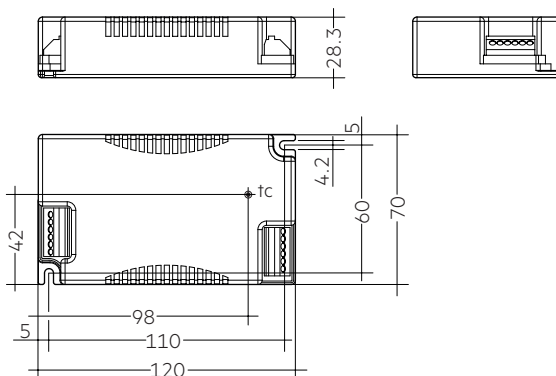
IP20 SELV      RoHS

## Driver LC 38W 350–1050mA bDW TW C PRE2

premium series Tunable White

### Technical data

Rated supply voltage	220 – 240 V
AC voltage range	198 – 264 V
DC voltage range	176 – 288 V
Mains frequency	0 / 50 / 60 Hz
Overvoltage protection	320 V AC, 48 h
Typ. current (at 230 V, 50 Hz, full load) <sup>①</sup> <sup>②</sup>	96 – 192 mA
Typ. current (220 V, 0 Hz, full load, 15 % dimming level) <sup>②</sup>	35 mA
Leakage current (at 230 V, 50 Hz, full load) <sup>①</sup> <sup>②</sup>	< 500 μA
Typ. efficiency (at 230 V / 50 Hz / full load) <sup>②</sup>	87 %
λ (at 230 V, 50 Hz, full load) <sup>①</sup>	> 0.96
Typ. power consumption on stand-by	< 0.4 W
Typ. input current in no-load operation	22 mA
Typ. input power in no-load operation	0.5 W
In-rush current (peak / duration)	26.4 A / 224 μs
THD (at 230 V, 50 Hz, full load) <sup>①</sup>	< 10 %
Starting time (at 230 V, 50 Hz, full load) <sup>①</sup>	< 0.6 s
Starting time (DC mode)	< 0.4 s
Switchover time (AC/DC) <sup>②</sup>	< 0.2 s
Turn off time (at 230 V, 50 Hz, full load)	< 20 ms
Output current tolerance <sup>②</sup> <sup>③</sup>	± 3 %
Max. output current peak (non-repetitive)	± output current + 20 %
Output LF current ripple (< 120 Hz)	± 2 %
Output P <sub>st</sub> <sup>LM</sup> (at full load)	± 1
Output SVM (at full load)	± 0.4
Max. output voltage (no-load voltage)	60 V
Dimming range	1 – 100 %
Colour tuning range	2,700 – 6,500 K
Mains surge capability (between L – N)	1 kV
Mains surge capability (between L/N – PE)	2 kV
Surge voltage at output side (against PE)	< 500 V
Type of protection	IP20
Radio transceiver operating frequencies	2.4 – 2.483 GHz
Max. output power radio transceiver (E.R.I.P.) <sup>②</sup>	< +20 dBm
Lifetime	up to 100,000 h
Guarantee (conditions at www.tridonic.com)	5 years
Dimensions L x W x H	120 x 70 x 28.3 mm



### Ordering data

Type	Article number	Packaging carton	Packaging pallet	Weight per pc.
LC 38/350-1050/50 bDW TW C PRE2	28002858	10 pc(s).	960 pc(s).	0.168 kg

**Specific technical data**

Type	Output current <sup>①</sup>	Min. forward voltage	Max. forward voltage	Max. output power	Typ. power consumption (at 230 V, 50 Hz, full load)	Typ. current consumption (at 230 V, 50 Hz, full load)	Max. casing temperature $t_c$	Ambient temperature $t_a$ max.	I-SELECT 2 resistor value <sup>③</sup>
<b>LC 38/350-1050/50 bDW TW C PRE2</b>	350 mA	20 V	50.0 V	17.5 W	21.1 W	96 mA	80 °C	-25 ... +65 °C	open
	400 mA	20 V	50.0 V	20.0 W	23.7 W	107 mA	80 °C	-25 ... +65 °C	12.50 kΩ
	450 mA	20 V	50.0 V	22.5 W	26.4 W	119 mA	80 °C	-25 ... +65 °C	11.11 kΩ
	500 mA	20 V	50.0 V	25.0 W	29.1 W	130 mA	80 °C	-25 ... +65 °C	10.00 kΩ
	550 mA	20 V	50.0 V	27.5 W	31.7 W	141 mA	80 °C	-25 ... +65 °C	9.09 kΩ
	600 mA	20 V	50.0 V	30.0 W	34.4 W	152 mA	80 °C	-25 ... +65 °C	8.33 kΩ
	650 mA	20 V	50.0 V	32.5 W	37.0 W	164 mA	80 °C	-25 ... +60 °C	7.69 kΩ
	700 mA	20 V	50.0 V	35.0 W	39.9 W	176 mA	80 °C	-25 ... +60 °C	7.14 kΩ
	750 mA	20 V	50.0 V	37.5 W	42.5 W	187 mA	80 °C	-25 ... +60 °C	6.67 kΩ
	800 mA	20 V	47.5 V	38.0 W	42.9 W	189 mA	80 °C	-25 ... +60 °C	6.25 kΩ
	850 mA	20 V	44.7 V	38.0 W	43.1 W	190 mA	80 °C	-25 ... +60 °C	5.88 kΩ
	900 mA	20 V	42.2 V	38.0 W	43.3 W	191 mA	80 °C	-25 ... +60 °C	5.56 kΩ
	950 mA	20 V	40.0 V	38.0 W	43.4 W	191 mA	80 °C	-25 ... +55 °C	5.26 kΩ
	1,000 mA	20 V	38.0 V	38.0 W	43.4 W	191 mA	80 °C	-25 ... +55 °C	5.00 kΩ
	1,050 mA	20 V	36.2 V	38.0 W	43.6 W	192 mA	80 °C	-25 ... +55 °C	short circuit (0 Ω)

① Valid at 100 % dimming level.

② Depending on the selected output current.

③ The table only lists a number of possible operating points but does not cover each single point. The output current can be set within the total value range in 1-mA-steps.

④ Not compatible with I-SELECT (generation 1). Calculated resistor value.

⑤ Output current is mean value.

⑥ Valid for immediate change of power supply type otherwise the starting time is valid.

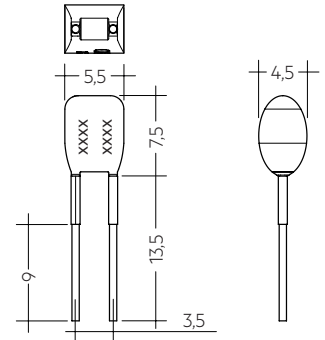
⑦ E.I.R.P.: Equivalent Isotropically Radiated Power.

### Product description

- Ready-for-use resistor to set output current value
- Compatible with LED driver featuring I-SELECT 2 interface; not compatible with I-SELECT (generation 1)
- Resistor is base insulated
- Resistor power 0.25 W
- Current tolerance  $\pm 2\%$  additional to output current tolerance
- Compatible with LED driver series PRE and EXC

### Example of calculation

- $R [k\Omega] = 5 V / I_{out} [mA] \times 1000$
- E96 resistor value used
- Resistor value tolerance  $\leq 1\%$ ; resistor power  $\geq 0.1 W$ ; base insulation necessary
- When using a resistor value beyond the specified range, the output current will automatically be set to the minimum value (resistor value too big), respectively to the maximum value (resistor value too small)



### Ordering data

Type	Article number	Colour	Marking	Current	Resistor value	Packaging bag	Weight per pc.
I-SELECT 2 PLUG 350MA BL	28001110	Blue	0350 mA	350 mA	14.30 k $\Omega$	10 pc(s).	0.001 kg
I-SELECT 2 PLUG 375MA BL	28001111	Blue	0375 mA	375 mA	13.30 k $\Omega$	10 pc(s).	0.001 kg
I-SELECT 2 PLUG 400MA BL	28001112	Blue	0400 mA	400 mA	12.40 k $\Omega$	10 pc(s).	0.001 kg
I-SELECT 2 PLUG 425MA BL	28001251	Blue	0425 mA	425 mA	11.80 k $\Omega$	10 pc(s).	0.001 kg
I-SELECT 2 PLUG 450MA BL	28001113	Blue	0450 mA	450 mA	11.00 k $\Omega$	10 pc(s).	0.001 kg
I-SELECT 2 PLUG 475MA BL	28001252	Blue	0475 mA	475 mA	10.50 k $\Omega$	10 pc(s).	0.001 kg
I-SELECT 2 PLUG 500MA BL	28001114	Blue	0500 mA	500 mA	10.00 k $\Omega$	10 pc(s).	0.001 kg
I-SELECT 2 PLUG 525MA BL	28001960	Blue	0525 mA	525 mA	9.53 k $\Omega$	10 pc(s).	0.001 kg
I-SELECT 2 PLUG 550MA BL	28001115	Blue	0550 mA	550 mA	9.09 k $\Omega$	10 pc(s).	0.001 kg
I-SELECT 2 PLUG 600MA BL	28001116	Blue	0600 mA	600 mA	8.25 k $\Omega$	10 pc(s).	0.001 kg
I-SELECT 2 PLUG 650MA BL	28001117	Blue	0650 mA	650 mA	7.68 k $\Omega$	10 pc(s).	0.001 kg
I-SELECT 2 PLUG 700MA BL	28001118	Blue	0700 mA	700 mA	7.15 k $\Omega$	10 pc(s).	0.001 kg
I-SELECT 2 PLUG 750MA BL	28001119	Blue	0750 mA	750 mA	6.65 k $\Omega$	10 pc(s).	0.001 kg
I-SELECT 2 PLUG 800MA BL	28001120	Blue	0800 mA	800 mA	6.19 k $\Omega$	10 pc(s).	0.001 kg
I-SELECT 2 PLUG 850MA BL	28001121	Blue	0850 mA	850 mA	5.90 k $\Omega$	10 pc(s).	0.001 kg
I-SELECT 2 PLUG 900MA BL	28001122	Blue	0900 mA	900 mA	5.62 k $\Omega$	10 pc(s).	0.001 kg
I-SELECT 2 PLUG 950MA BL	28001123	Blue	0950 mA	950 mA	5.23 k $\Omega$	10 pc(s).	0.001 kg
I-SELECT 2 PLUG 1000MA BL	28001124	Blue	1000 mA	1000 mA	4.99 k $\Omega$	10 pc(s).	0.001 kg
I-SELECT 2 PLUG 1050MA BL	28001125	Blue	1050 mA	1050 mA	4.75 k $\Omega$	10 pc(s).	0.001 kg
I-SELECT 2 PLUG MAX BL	28001099	Blue	MAX	MAX	0.00 k $\Omega$	10 pc(s).	0.001 kg

## 1. Standards

EN 55015  
EN 61000-3-2  
EN 61000-3-3  
EN 61347-1  
EN 61347-2-13  
EN 62384  
EN 61547  
ETSI EN 300 330  
ETSI EN 301 489-1  
ETSI EN 301 489-3  
ETSI EN 300 328  
ETSI EN 301 489-17

According to EN 50172 for use in central battery systems

According to EN 60598-2-22 suitable for emergency lighting installations

## 2. Thermal details and lifetime

### 2.1 Expected lifetime

Expected lifetime									
Type	Output current	ta	35 °C	40 °C	45 °C	50 °C	55 °C	60 °C	65 °C
350 – 700 mA		tc	50 °C	55 °C	60 °C	65 °C	70 °C	75 °C	80 °C
		Lifetime	> 100,000 h	> 100,000 h	> 100,000 h	100,000 h	90,000 h	60,000 h	40,000 h
LC 38/350-1050/50 bDW TW C PRE2	700 – 950 mA	tc	55 °C	60 °C	65 °C	70 °C	75 °C	80 °C	–
		Lifetime	> 100,000 h	> 100,000 h	> 100,000 h	80,000 h	60,000 h	40,000 h	–
950 – 1,050 mA		tc	60 °C	65 °C	70 °C	75 °C	80 °C	–	–
		Lifetime	> 100,000 h	> 100,000 h	80,000 h	60,000 h	40,000 h	–	–

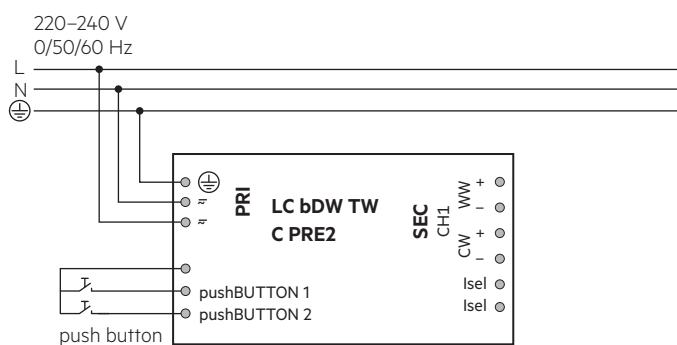
The LED driver is designed for a lifetime stated above under reference conditions and with a failure probability of less than 10 %.

The relation of tc to ta temperature depends also on the luminaire design.

If the measured tc temperature is approx. 5 K below tc max., ta temperature should be checked and eventually critical components (e.g. ELCAP) measured. Detailed information on request.

## 3. Installation / wiring

### 3.1 Circuit diagram



The used push button has to be insulated.

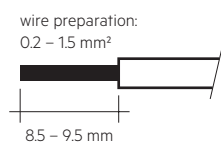
### 3.2 Wiring type and cross section

The wiring can be in stranded wires with ferrules or solid with a cross section of 0.2–1.5 mm<sup>2</sup>.

Strip 8.5–9.5 mm of insulation from the cables to ensure perfect operation of the push-wire terminals.

Use one wire for each terminal connector only.

LED module/LED driver/supply

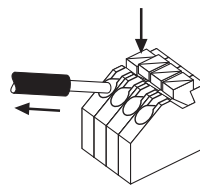


### 1.1 Glow wire test

according to EN 61347-1 with increased temperature of 850 °C passed.

### 3.3 Loose wiring

Press down the “push button” and remove the cable from front.



### 3.4 Wiring guidelines

- Run the secondary lines separately from the mains connections and lines to achieve good EMC performance.
- The max. secondary cable length is 2 m (4 m circuit), this applies for LED output as well as for I-SELECT 2.
- For good EMC performance, keep the LED wiring as short as possible.
- Secondary switching is not permitted.
- The LED driver has no inverse-polarity protection on the secondary side. Wrong polarity can damage LED modules with no inverse-polarity protection.
- Wrong wiring of the LED driver can lead to malfunction or irreparable damage.
- In case of protection class II applications it is recommended to separate the lamp wires of the different channels. Depending onto the luminaire construction additional actions, such as equipotential connection between driver and LED or a toroidal ferrite at the lamp wires are recommended.
- To avoid the damage of the Driver, the wiring must be protected against short circuits to earth (sharp edged metal parts, metal cable clips, louver, etc.).

### 3.5 Hot plug-in

Hot plug-in is not supported due to residual output voltage of  $> 0$  V.

If a LED load got connected the device has to be restarted before the output will be activated again.

This can be done via mains reset or via interface (basicDIM Wireless).

### 3.6 Earth connection

The earth connection is conducted as protection earth (PE). The LED driver can be earthed via earth terminal. If the LED driver will be earthed, protection earth (PE) has to be used. There is no earth connection required for the functionality of the LED driver.

Earth connection is recommended to improve following behaviour:

- Electromagnetic interferences (EMI)
- LED glowing at stand-by
- Transmission of mains transients to the LED output

In general it is recommended to earth the LED driver if the LED module is mounted on earthed luminaire parts respectively heat sinks and thereby representing a high capacity against earth.

### 3.7 I-SELECT 2 resistors connected via cable

For details see:

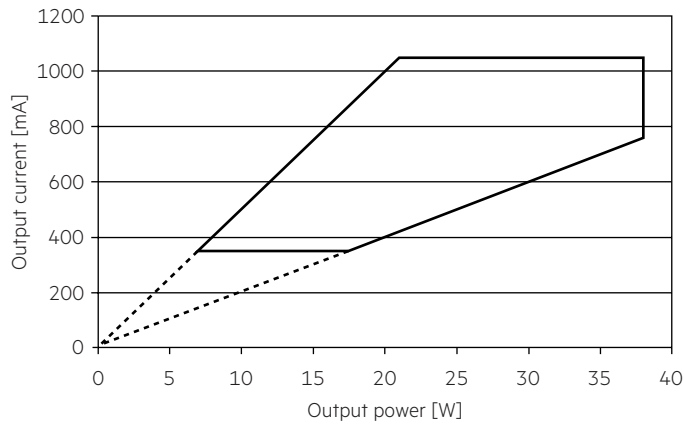
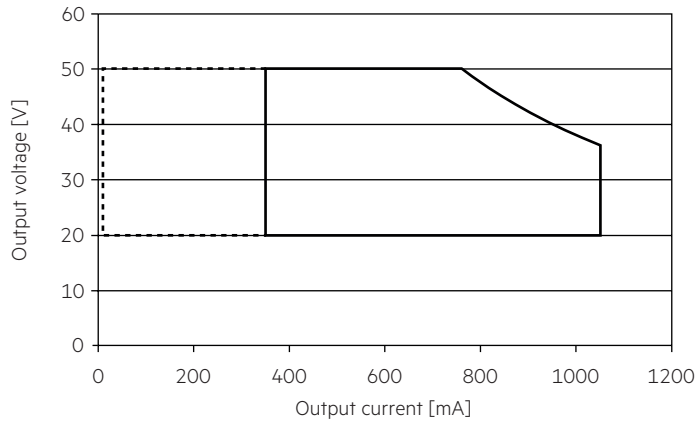
[http://www.tridonic.com/com/en/download/technical/LCA\\_PRE\\_LC\\_EXC\\_ProductManual\\_en.pdf](http://www.tridonic.com/com/en/download/technical/LCA_PRE_LC_EXC_ProductManual_en.pdf).

### 3.8 Installation note

Max. torque at the clamping screw: 0.5 Nm / M4

## 4. Electrical values

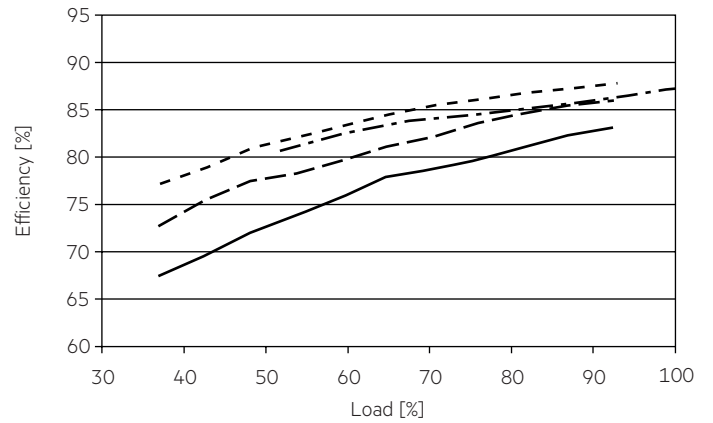
### 4.1 Operating window



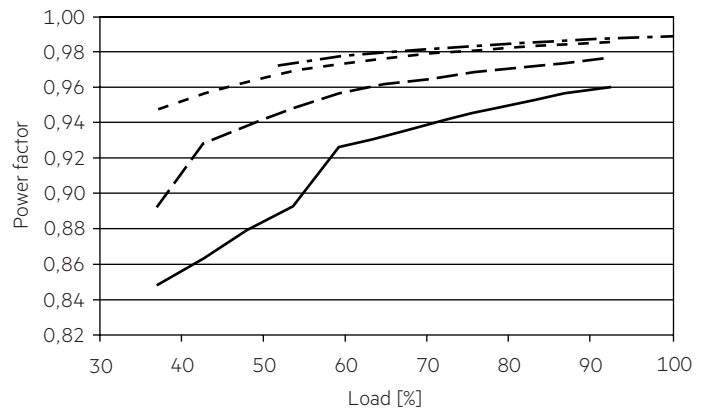
— Operating window 100 %  
- - - - - Operating window dimmed

Make sure that the LED driver is operated within the given window under all operating conditions. Special attention needs to be paid at dimming and DC emergency operation as the forward voltage of the connected LED modules varies with the dimming level, due to the implemented amplitude dimming technology. Coming below the specified minimum output voltage of the LED driver may cause the device to shut-down. See chapter "6.8 Light level in DC operation" for more information.

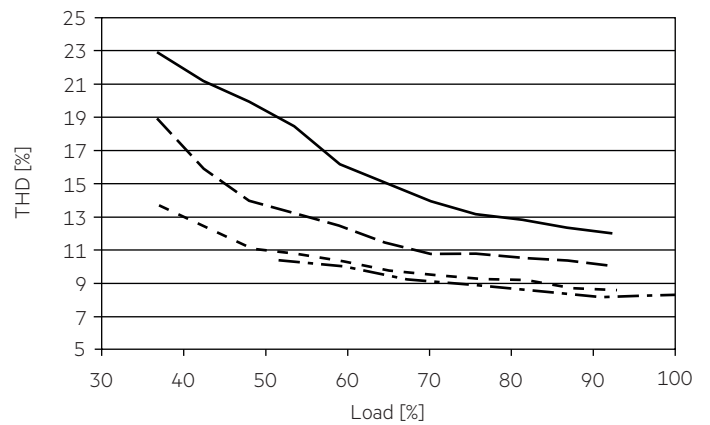
### 4.2 Efficiency vs load



### 4.3 Power factor vs load



### 4.4 THD vs load



— 350 mA  
- - - 500 mA  
- · - · - 700 mA  
- - - - - 1050 mA

100 % load corresponds to the max. output power (full load) according to the table on page 2.

#### 4.5 Maximum loading of automatic circuit breakers in relation to inrush current

Automatic circuit breaker type	C10	C13	C16	C20	B10	B13	B16	B20	Inrush current	
Installation Ø	1.5 mm <sup>2</sup>	1.5 mm <sup>2</sup>	2.5 mm <sup>2</sup>	4 mm <sup>2</sup>	1.5 mm <sup>2</sup>	1.5 mm <sup>2</sup>	2.5 mm <sup>2</sup>	4 mm <sup>2</sup>	$I_{max}$	time
<b>LC 38/350-1050/50 bDW TW C PRE2</b>	16	21	26	33	10	13	16	20	26 A	224 µs

These are max. values calculated out of inrush current! Please consider not to exceed the maximum rated continuous current of the circuit breaker. Calculation uses typical values from ABB series S200 as a reference. Actual values may differ due to used circuit breaker types and installation environment.

#### 4.6 Harmonic distortion in the mains supply (at 230 V / 50 Hz and full load) in %

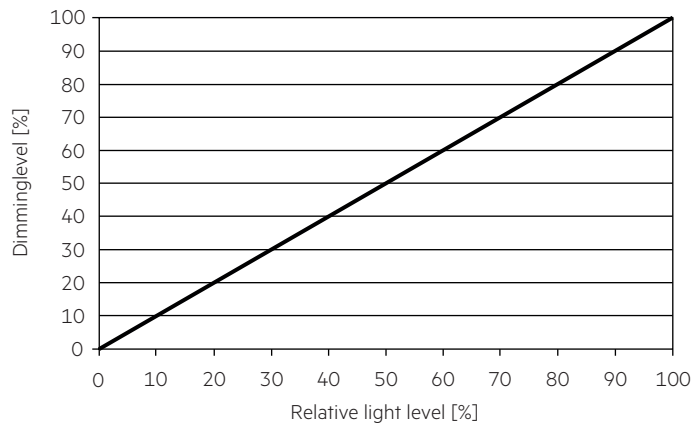
	THD	3.	5.	7.	9.	11.
<b>LC 38/350-1050/50 bDW TW C PRE2</b>	< 10	< 10	< 3	< 3	< 2	< 2

#### 4.7 Dimming

Dimming range 1% to 100 %  
Digital control with:

- basicDIM Wireless

#### 4.8 Dimming characteristics



### 5. Interfaces / communication

#### 5.1 Control input (pushBUTTON)

A standard push button can be connected on the input terminals. Maximum cable length of the push button is 1 meter. This function has to be activated before using.

The control signal is not SELV. Control cable has to be installed in accordance to the requirements of low voltage installations. Different functions depending on each module. Profile change see handbook [https://www.tridonic.com/com/en/download/technical/Documentation\\_Triconic\\_4remote\\_BT\\_EN.pdf](https://www.tridonic.com/com/en/download/technical/Documentation_Triconic_4remote_BT_EN.pdf)

### 6. Functions

#### 6.1 Adjustable current

The output current of the LED driver can be adjusted in a certain range.

##### I-SELECT 2

By inserting a suitable resistor into the I-SELECT 2 interface, the current value can be adjusted. The relationship between output current and resistor value can be found in the chapter "Accessories I-SELECT 2 Plugs".

Please note that the resistor values for I-SELECT 2 are not compatible with I-SELECT (generation 1). Installation of an incorrect resistor may cause irreparable damage to the LED module(s).



Resistors for the main output current values can be ordered from Tridonic (see accessories).

#### 6.2 Short-circuit behaviour

In case of a short-circuit at the LED output the LED output is switched off. After restart of the LED driver the output will be activated again. The restart can either be done via mains reset or via software or push button.

#### 6.3 No-load operation

The LED driver will not be damaged in no-load operation. The output will be deactivated and is therefore free of voltage. If a LED load is connected the device has to be restarted before the output will be activated again.

#### 6.4 Overload protection

If the maximum load is exceeded by a defined internal limit, the LED driver turns off the LED output. After restart of the LED driver the output will be activated again. The restart can either be done via mains reset or via software or push button.

#### 6.5 Overtemperature protection

The LED driver is protected against temporary thermal overheating. If the temperature limit is exceeded the output current of the LED module(s) is reduced. The temperature protection is activated above  $t_{c,max}$ . The activation temperature differs depending on the LED load. On DC operation this function is deactivated to fulfill emergency requirements.



## 6.6 Constant light output (CLO)

The luminous flux of a LED decreases constantly over the lifetime.

The CLO function ensures that the emitted luminous flux remains stable.

For that purpose the LED current will increase continuously over the LED lifetime.

Via software (utilityAPP) it is possible to select a start value (in percent) and an expected lifetime.

The LED driver adjusts the current afterwards automatically.

## 6.7 Power-up/-down fading

The power-up/-down function offers the opportunity to modify the on/off behavior. The time for fading on or off can be adjusted in a range of 0.2 to 16 seconds. According to this value, the device dims either from 0 % up to the power-on level or from the current set dim level down to 0 %.

This feature applies while operating via 4remoteBT and when switching the mains voltage on or off. By factory default no fading time is set (=0s).

## 6.8 Light level in DC operation

The LED driver is designed to operate on DC voltage and pulsed DC voltage.

For a reliable operation, make sure that also in DC emergency operation the LED driver is run within the specified conditions as stated in chapter

“4.1 operating window”.

Light output level in DC operation: programmable 1 – 100 % (EOfi = 0.13).

Programming by utilityAPP.

In DC operation dimming mode can be activated.

The voltage-dependent input current of Driver incl. LED module is depending on the used load.

The voltage-dependent no-load current of Driver (without or defect LED module) is for:

AC: 22 mA (at 230 V, 50 Hz)

DC: 6 – 10 mA (at 275 – 186 V, 0 Hz)

## 6.9 Intelligent Voltage Guard

Intelligent Voltage Guard is the name of the electronic monitoring of the mains voltage. It immediately shows if the mains voltage rises above certain thresholds. Measures can then be taken quickly to prevent damage to the LED driver.

- If the mains voltage rises above approx. 280 Vrms (voltage depends on the LED driver type), the LED light starts flashing on and off.
- To avoid a damage of the LED driver the mains supply has to be switched off at this signal.

## 6.10 Software / programming

With appropriate software and an interface different functions can be activated and various parameters can be configured in the LED driver.

To do so, the software (utilityAPP) is required.

## 7. Miscellaneous

### 7.1 Insulation and electric strength testing of luminaires

Electronic devices can be damaged by high voltage. This has to be considered during the routine testing of the luminaires in production.

According to IEC 60598-1 Annex Q (informative only!) or ENEC 303-Annex A, each luminaire should be submitted to an insulation test with 500 V<sub>DC</sub> for 1 second. This test voltage should be connected between the interconnected phase and neutral terminals and the earth terminal. The insulation resistance must be at least 2 MΩ.

As an alternative, IEC 60598-1 Annex Q describes a test of the electrical strength with 1500 V<sub>AC</sub> (or 1.414 x 1500 V<sub>DC</sub>). To avoid damage to the electronic devices this test must not be conducted.

### 7.2 Conditions of use and storage

Humidity: 5% up to max. 85%,  
not condensed  
(max. 56 days/year at 85%)

Storage temperature: -40 °C up to max. +80 °C

The devices have to be acclimatised to the specified temperature range (ta) before they can be operated.

The LED driver is declared as inbuilt LED controlgear, meaning it is intended to be used within a luminaire enclosure.

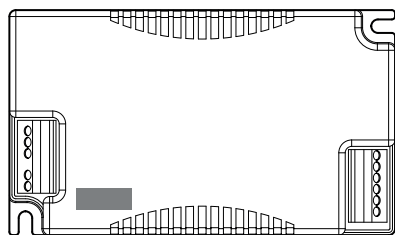
If the product is used outside a luminaire, the installation must provide suitable protection for people and environment (e.g. in illuminated ceilings).

### 7.3 Placement

basicDIM Wireless has an integrated antenna for easy integration. In order to maximize the range in every direction some design guidelines should be taken into consideration when mounting the device.

The antenna is located on the corner of the enclosure. It is on the top side of the internal PCB (Printed Circuit Board).

When the device is mounted on a metal plate (e.g. frame of a luminaire), it may efficiently block the radio frequency signal. In this case, a cut-out underneath the antenna may be needed for the RF signal to exit the structure. The cut-out area should be as large as possible. Also the device should be placed as far away from any vertical metal structures as possible.



#### ■ Antenna location



The range of the communication signal is depending on the environment e.g. luminaire, construction of the building, furnitures or humans and needs to be tested and approved in the installation.

### 7.4 Network compatibility

This Driver is fully compatible with networks which support up to 250 nodes (Evolution networks). If the Driver is used with different types of basicDIM Wireless devices in an Evolution network, their compatibility has to be checked before. If a device is not compatible with Evolution networks, it can be only used in networks which support up to max. of 127 devices (Classic networks).

### 7.5 Maximum number of switching cycles

All LED driver are tested with 50,000 switching cycles. The actually achieved number of switching cycles is significantly higher.

### 7.6 Additional information

Additional technical information at [www.tridonic.com](http://www.tridonic.com) → Technical Data

Lifetime declarations are informative and represent no warranty claim. No warranty if device was opened.