

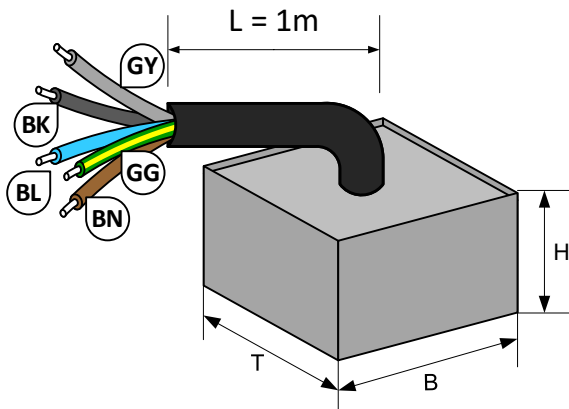
- **Smallest DALI modul for 100VAC to 240VAC, for up to 50 DALI members.**
- **Smallest power consumption 3 Watts max.**
- **Simply operate with Casambi.**

The DALI module LIGA.AIR.DALI.1.M.240 is controlled with the Casambi app.

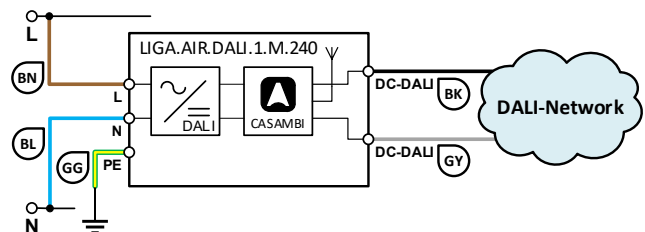
The module is connected directly to 100-240 VAC and has a DALI-BUS output capable to drive of up to 100mA. The module is encapsulated in a black ABS housing in the dimensions of 50 x 50 x 25mm.

The compact design allows an easy installation.

Dimensional drawing:



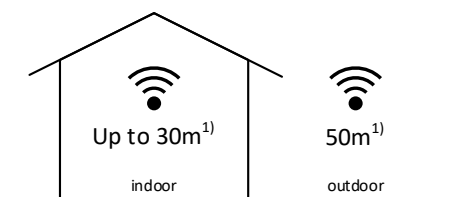
Schematics:



Installation only by a professional electrician according to the local regulations!

**Technical specifications:**

Dimension (T x B x H)	50 x 50 x 25mm
Weight	300g
Color	Enclosure schwarz
Mounting	In flush-mounted boxes or cable ducts etc.
Environmental conditions	Operation: Temperature -20 ... 50°C, humidity < 85%rH Stock: Temperature -25 ... 65°C, humidity < 95%rH
Protection type / class	IP64, EN-60529 / Appliance Class II
Connections	Rubber sheathed cable gdr 5 x 1.5mm ² (5 x AWG16), L = 1m: Brown (BN): L, phase conductor, blue (BL): N neutral conductor, Green, yellow (GG): PE protective conductor. Black (BK): DALI, gray (GY): DALI
Power supply / Frequency	100-240V~, 50-60Hz
Power consumption	3 Watts max
DALI output	DALI bus voltage 17VDC, output current 100mA max (for approx. 50 Dali members)
Standards	Low Voltage Directive (LVD) 2014/35/EU, EN 60669-2-1 Electromagnetic compatibility (EMC) 2014/30/EU
CASAMBI Modul Standards	Bluetooth 4.0 Wireless Control
Dimming and switching	Settable by the Casambi application (App Store, Google Play)
Applications	Dimming and switching of DALI devices, 1 channel or broadcast
Scope of delivery	1 DALI module

Compatible devices:**Range:****iPhone 4S** or later**iPad 3** or later**iPod Touch 5th gen** or later.**Android 4.4 KitKat** or later devices

produced after 2013 with full BT 4.0 support.

Casambi uses mesh network technology so each CBU-ASD acts also as a repeater.

Longer ranges can be achieved by using multiple Casambi units.

Range is highly dependent on the surrounding and obstacles, such as walls and building materials.

