

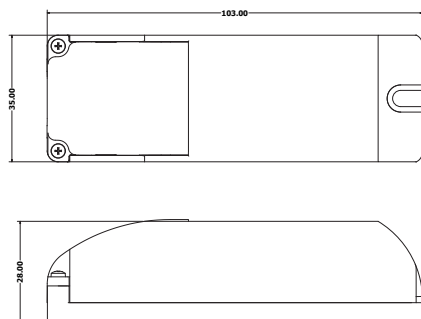
TRED-E-CSB

EU Technical Datasheet

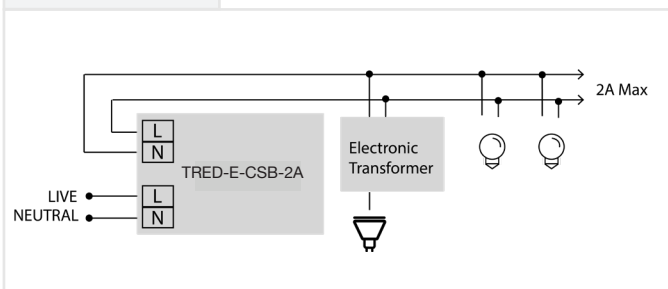
CASAMBI
READY

EULUM
DESIGN

Dimensions



Wiring Diagram



General Description

120-277VAC bluetooth enabled trailing edge dimmer.

Technical Specifications

Housing	Plastic Injection Moulded ABS
Dimensions	103mm x 35mm x 28mm
Weight	<0.5kg
Electrical Connections	0.25mm to 1.3mm ²
Mechanical Mount. Connection	Screw Down
Operating Temp. Ambient	0°C to +50°C
Storage Temp.	-40°C to +80°C
Input Voltage	120-277VAC
Switching Output	2A
Maximum Power	≤ 1.5W (without switching load)
Max. Off-State Pwr Consumption	≤ 300mW
Dimming	Logarithmic/Linear, 1-100%, 0-01% Resolution
Dimming Output	Trailing edge phase dimming
Wireless Protocol	Bluetooth Low Energy v4.1
Standards	CE FCC

Features

- 120-277VAC
- Trailing edge phase dimming controller
- Capable of loads up to 2A
- Casambi enabled
- Bluetooth beacons

Order Codes

TRED-E-CSB-2A: Wireless trailing edge phase dimmer.
120-277VAC Input
Casambi Enabled