

Driver LC 100W 48V SC SNC

essence series 48 V – not dimmable (IP20)

**Product description**

- _ Constant voltage LED driver
- _ Output voltage 48 V
- _ Max. output power 100 W
- _ Dimmable via external PWM LED dimmers attached on output side
- _ For luminaires of protection class I and protection class II
- _ Possible to connect on / off 48 V DC / DC boards
- _ The strain relief is included in both packaging variants. In the single packaging (SP) each Driver has also an individual packaging
- _ Nominal lifetime up to 50,000 h
- _ 5 years guarantee (conditions at <https://www.tridonic.com/manufacturer-guarantee-conditions>)

Typical applications

- _ Cove lighting, facade accent lighting, ceiling integration

Technical details

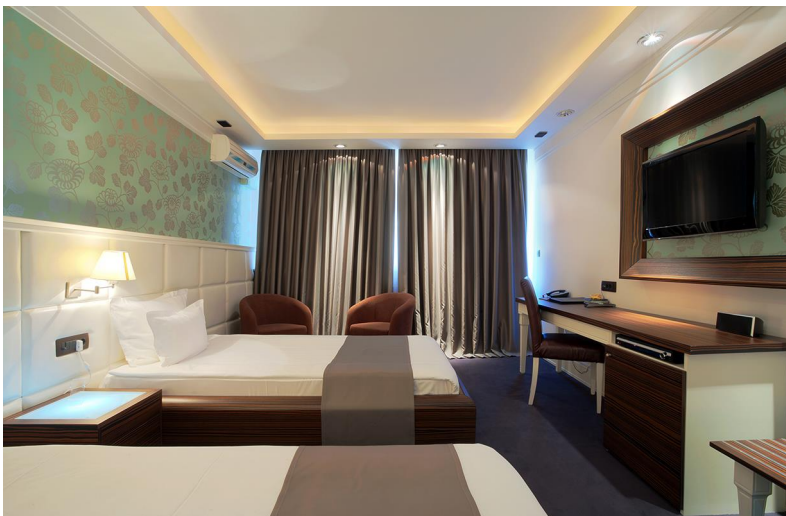
- _ 48 V, 100 W
- _ Small design (295 x 43 x 30 mm) with stretched-compact strain relief
- _ Output LF voltage ripple (< 120 Hz) \pm 1.5 %
- _ Power input on stand-by < 0.5 W
- _ Small cross section
- _ Push terminals for simple wiring

System solution

- _ Tridonic LLE FLEX SNC4 and EXC4
- _ In connection with ACL FLEX accessories wire to PCB

Website

<http://www.tridonic.com/87501096>



Spotlights



Downlights



Linear



Area



Floor | Wall



Free-standing



Street



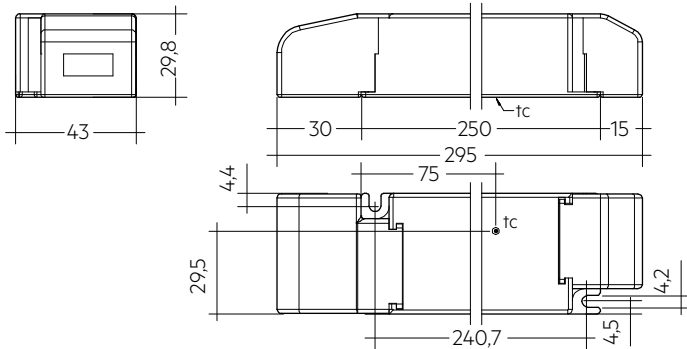
Decorative



High bay

Driver LC 100W 48V SC SNC

essence series 48 V – not dimmable (IP20)

**Ordering data**

Type	Article number	Packaging, carton	Packaging, pallet	Packaging, high volume	Weight per pc.
Multi packaging					
LC 100W 48V SC SNC	87501096	10 pc(s).	80 pc(s).	800 pc(s).	0.24 kg
Single packaging					
LC 100W 48V SC SNC SP	87501114	10 pc(s).	80 pc(s).	800 pc(s).	0.24 kg

Technical data

Rated supply voltage	220 – 240 V
AC voltage range	198 – 264 V
Mains frequency	50 / 60 Hz
Overvoltage protection	320 V AC, 48 h
Typ. rated current (at 230 V, 50 Hz, full load) ^①	476 mA
Max. input power	109 W
Typ. efficiency (at 230 V, 50 Hz, full load)	92.5 %
λ over full operating range (max.) ^①	0.98
λ over full operating range (min.)	0.8C
Typ. input current in no-load operation	< 20 mA
Typ. input power in no-load operation	< 0.5 W
In-rush current (peak / duration)	51.4 A / 232 μ s
THD (at 230 V, 50 Hz, full load) ^①	< 10 %
Output P _{ST_LM} (at full load)	≤ 1
Output SVM (at full load)	≤ 0.4
Starting time (at 230 V, 50 Hz, full load) ^①	< 0.5 s
Turn off time (at 230 V, 50 Hz, full load)	< 0.5 s
Hold on time at power failure (output)	0 s
Output voltage tolerance	± 2 V
Output LF voltage ripple (< 120 Hz)	± 1.5 %
Max. output voltage (U-OUT)	50 V
Burst capability	1 kV
Mains surge capability (between L - N)	1 kV
Mains surge capability (between L/N - PE)	2 kV
Type of protection	IP20
Lifetime	up to 50,000 h
Guarantee (conditions at www.tridonic.com)	5 Year(s)
Dimensions L x W x H	295 x 43 x 30 mm

Approval marks

IP20 SELV        RoHS

Standards

EN 55015, EN 61000-3-2, EN 61000-3-3, EN 61347-1, EN 61347-2-13, EN 62384, EN 61547, IEC 60335-1

Specific technical data

Type	Load ^①	Output voltage	Output current	Max. Ausgangsleistung	Typ. power consumption	Typ. current consumption	tc point max.	Ambient temperature ta
LC 100W 48V SC SNC	30 %	48 V	625 mA	30 W	33.9 W	170 mA	75 °C	-20 ... +50 °C
LC 100W 48V SC SNC	40 %	48 V	833 mA	40 W	44.1 W	211 mA	75 °C	-20 ... +50 °C
LC 100W 48V SC SNC	50 %	48 V	1,042 mA	50 W	54.5 W	254 mA	75 °C	-20 ... +50 °C
LC 100W 48V SC SNC	60 %	48 V	1,250 mA	60 W	64.8 W	297 mA	75 °C	-20 ... +50 °C
LC 100W 48V SC SNC	70 %	48 V	1,458 mA	70 W	75.2 W	340 mA	80 °C	-20 ... +50 °C
LC 100W 48V SC SNC	80 %	48 V	1,667 mA	80 W	85.7 W	385 mA	80 °C	-20 ... +50 °C
LC 100W 48V SC SNC	90 %	48 V	1,875 mA	90 W	96.3 W	430 mA	85 °C	-20 ... +50 °C
LC 100W 48V SC SNC	100 %	48 V	2,083 mA	100 W	107.0 W	476 mA	85 °C	-20 ... +45 °C
LC 100W 48V SC SNC SP	30 %	48 V	625 mA	30 W	33.9 W	170 mA	75 °C	-20 ... +50 °C
LC 100W 48V SC SNC SP	40 %	48 V	833 mA	40 W	44.1 W	211 mA	75 °C	-20 ... +50 °C
LC 100W 48V SC SNC SP	50 %	48 V	1,042 mA	50 W	54.5 W	254 mA	75 °C	-20 ... +50 °C
LC 100W 48V SC SNC SP	60 %	48 V	1,250 mA	60 W	64.8 W	297 mA	75 °C	-20 ... +50 °C
LC 100W 48V SC SNC SP	70 %	48 V	1,458 mA	70 W	75.2 W	340 mA	80 °C	-20 ... +50 °C
LC 100W 48V SC SNC SP	80 %	48 V	1,667 mA	80 W	85.7 W	385 mA	80 °C	-20 ... +50 °C
LC 100W 48V SC SNC SP	90 %	48 V	1,875 mA	90 W	96.3 W	430 mA	85 °C	-20 ... +50 °C
LC 100W 48V SC SNC SP	100 %	48 V	2,083 mA	100 W	107.0 W	476 mA	85 °C	-20 ... +45 °C

① Valid at 100 % dimming level.

② Max. capacitive load 20 µF / A.

1. Standards

EN 55015
 EN 61000-3-2
 EN 61000-3-3
 EN 61347-1
 EN 61347-2-13
 EN 62384
 EN 61547
 IEC 60335-1

1.1 Glow wire test

according to EN 61347-1 with increased temperature of 850 °C passed.

2. Thermal details and lifetime

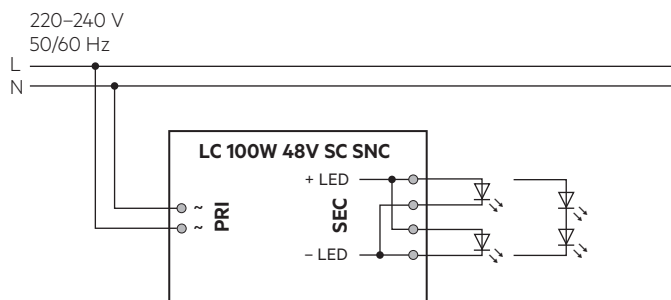
2.1 Expected lifetime

Expected lifetime					
Type	Output load	ta	40 °C	45 °C	50 °C
	≤ 40W	tc	65 °C	70 °C	75 °C
		Lifetime	> 100,000 h	> 100,000 h	> 100,000 h
	> 40 ... ≤ 60 W	tc	65 °C	70 °C	75 °C
		Lifetime	> 100,000 h	> 100,000 h	> 100,000 h
LC 100W 48V SC SNC	> 60 ... ≤ 80 W	tc	75 °C	75 °C	80 °C
		Lifetime	> 100,000 h	> 100,000 h	> 70,000 h
	> 80 ... ≤ 90 W	tc	80 °C	80 °C	85 °C
		Lifetime	> 100,000 h	> 70,000 h	> 50,000 h
	> 90 ... ≤ 100 W	tc	80 °C	85 °C	–
		Lifetime	> 70,000 h	> 50,000 h	–

The LED control gear is designed for a lifetime stated above under reference conditions and with a failure probability of less than 10 %. The relation of tc to ta temperature depends also on the luminaire design. If the measured tc temperature is approx. 5 K below tc max., ta temperature should be checked and eventually critical components (e.g. ELCAP) measured. Detailed information on request.

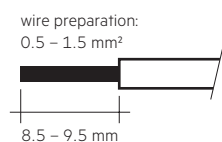
3. Installation / wiring

3.1 Circuit diagram

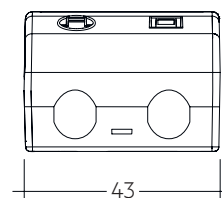


3.2 Mains supply wiring

For wiring use stranded wire with ferrules or solid wire from 0.5 – 1.5 mm². For perfect function of the push-wire terminals (WAGO 250) the strip length should be 8.5 – 9.5 mm. Use one wire for each terminal connector only. Mains supply wiring:

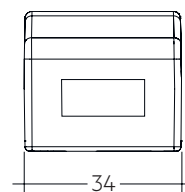


Primary strain relief for cables with bigger cable sheath



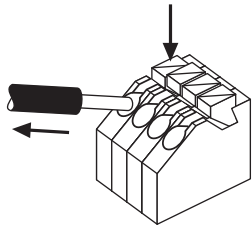
Permissible cable jacket diameter: 2.2 – 9 mm

Secondary strain relief for cable with smaller cable sheath



Permissible cable jacket diameter: 3 – 9 mm

3.3 Loose wiring

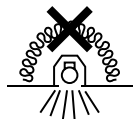
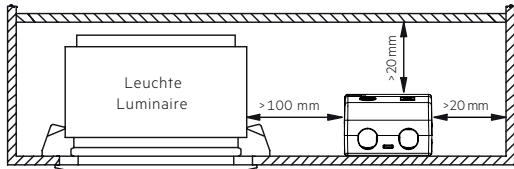


Release of the wiring

Press down the "push button" and remove the cable from front.

3.4 Fixing conditions when using as independent Driver with Clip-On

Dry, acidfree, oilfree, fatfree. It is not allowed to exceed the maximum ambient temperature (t_a) stated on the device. Minimum distances stated below are recommendations and depend on the actual luminaire. Is not suitable for fixing in corner.



Device not suitable for covering with thermally insulating material according to IEC 60598-1 Ed.9

3.5 Wiring guidelines

- The cables should be run separately from the mains connections and mains cables to ensure good EMC conditions.
- The LED wiring should be kept as short as possible to ensure good EMC. The max. secondary cable length is 2 m (4 m circuit).
- To comply with the EMC regulations run the secondary wires (LED module) in parallel.
- The LED driver has no inverse-polarity protection on the secondary side. Wrong polarity can damage LED modules with no inverse-polarity protection.
- Wrong wiring of the LED driver can lead to malfunction or irreparable damage.
- To avoid damage of the Driver, the wiring must be protected against short circuits to earth (sharp edged metal parts, metal cable clips, louver, etc.).

3.6 Installation instructions

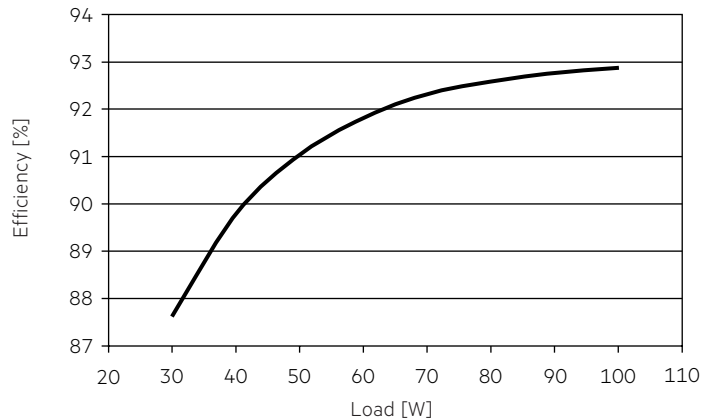
The LED module and all contact points within the wiring must be sufficiently insulated against 3 kV surge voltage. Air and creepage distance must be maintained.

3.7 Mounting of device

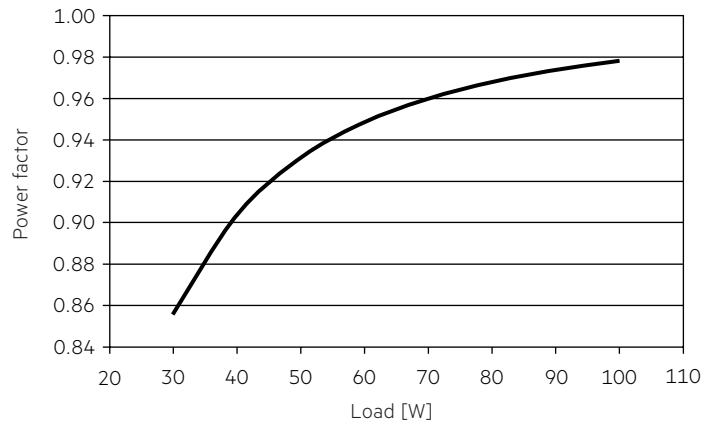
Max. torque for fixing: 0.5 Nm/M4

4. Electrical values

4.1 Efficiency vs. load

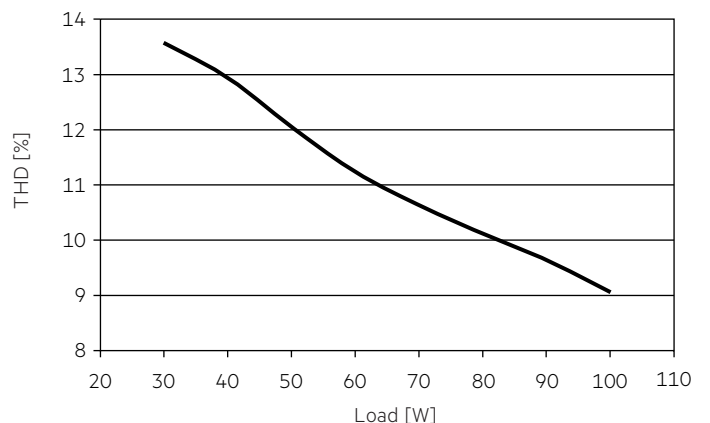


4.2 Power factor vs. Load



4.3 THD vs. Load

THD without harmonic < 5 mA (0.6 %) of the input current:



4.4 Maximum loading of automatic circuit breakers in relation to inrush current

Automatic circuit breaker type	C10	C13	C16	C20	B10	B13	B16	B20	Inrush current	
Installation Ø	1.5 mm ²	1.5 mm ²	2.5 mm ²	2.5 mm ²	1.5 mm ²	1.5 mm ²	2.5 mm ²	2.5 mm ²	I_{max}	time
LC 100W 48V SC SNC	12	15	18	23	7	9	11	14	51.4 A	232 µs

These are max. values calculated out of inrush current! Please consider not to exceed the maximum rated continuous current of the circuit breaker.

Calculation uses typical values from ABB series S200 as a reference.

Actual values may differ due to used circuit breaker types and installation environment.

4.5 Harmonic distortion in the mains supply (at 230 V / 50 Hz and full load) in %

	THD	3.	5.	7.	9.	11.
LC 100W 48V SC SNC	< 10	< 10	< 5	< 2	< 2	< 2

Acc. to 61000-3-2. Harmonics < 5 mA or < 0.6 % (whatever is greater) of the input current are not considered for calculation of THD.

5. Functions

5.1 Overload protection

If the maximum load is exceeded by a defined internal limit, the LED will flicker, and output voltage will be reduced.

When fault is removed, the driver can go back to work automatically without resetting input main power.

5.2 Overtemperature protection

The LED driver is protected against temporary thermal overheating. If the temperature limit is exceeded the LED will flicker, and restart automatically after the driver cold down. The temperature protection is activated approx. + 15 °C above T_C max.

5.3 Short-circuit behaviour

In case of a short circuit at the LED output the LED output is switched off. When fault is removed, the driver can go back to work automatically without resetting input main power.

5.4 No-load operation

The LED driver will not be damaged in the no-load operation. When the output is floating and doesn't connect the LED modules, the output voltage will keep the max. voltage (< 50 V). After connecting the LED load, the driver works normally without resetting the main power.

5.5 Hot plug-in

Hot plug-in is supported.

When connecting an LED load, restart the device to activate the LED output.

5.6 Use of PWM dimmers

PWM dimmers can be used to dim the attached LED module.

7. Miscellaneous

7.1 Insulation and electric strength testing of luminaires

Electronic devices can be damaged by high voltage. This has to be considered during the routine testing of the luminaires in production.

According to IEC 60598-1 Annex Q (informative only!) or ENEC 303-Annex A, each luminaire should be submitted to an insulation test with 500 V_{DC} for 1 second. This test voltage should be connected between the interconnected phase and neutral terminals and the earth terminal.

The insulation resistance must be at least 2 MΩ.

As an alternative, IEC 60598-1 Annex Q describes a test of the electrical strength with 1500 V_{AC} (or 1.414 x 1500 V_{DC}). To avoid damage to the electronic devices this test must not be conducted.

7.2 Conditions of use and storage

Humidity: 5 % up to max. 85 %, not condensed (max. 56 days/year at 85 %)

Storage temperature: -40 °C up to max. +80 °C

The devices have to be acclimatised to the specified temperature range (t_a) before they can be operated.

The LED driver is declared as inbuilt LED controlgear, meaning it is intended to be used within a luminaire enclosure.

If the product is used outside a luminaire, the installation must provide suitable protection for people and environment (e.g. in illuminated ceilings).

7.3 Maximum number of switching cycles

All LED driver are tested with 50,000 switching cycles.

7.4 Additional information

Additional technical information at www.tridonic.com → Technical Data

Lifetime declarations are informative and represent no warranty claim. No warranty if device was opened.